

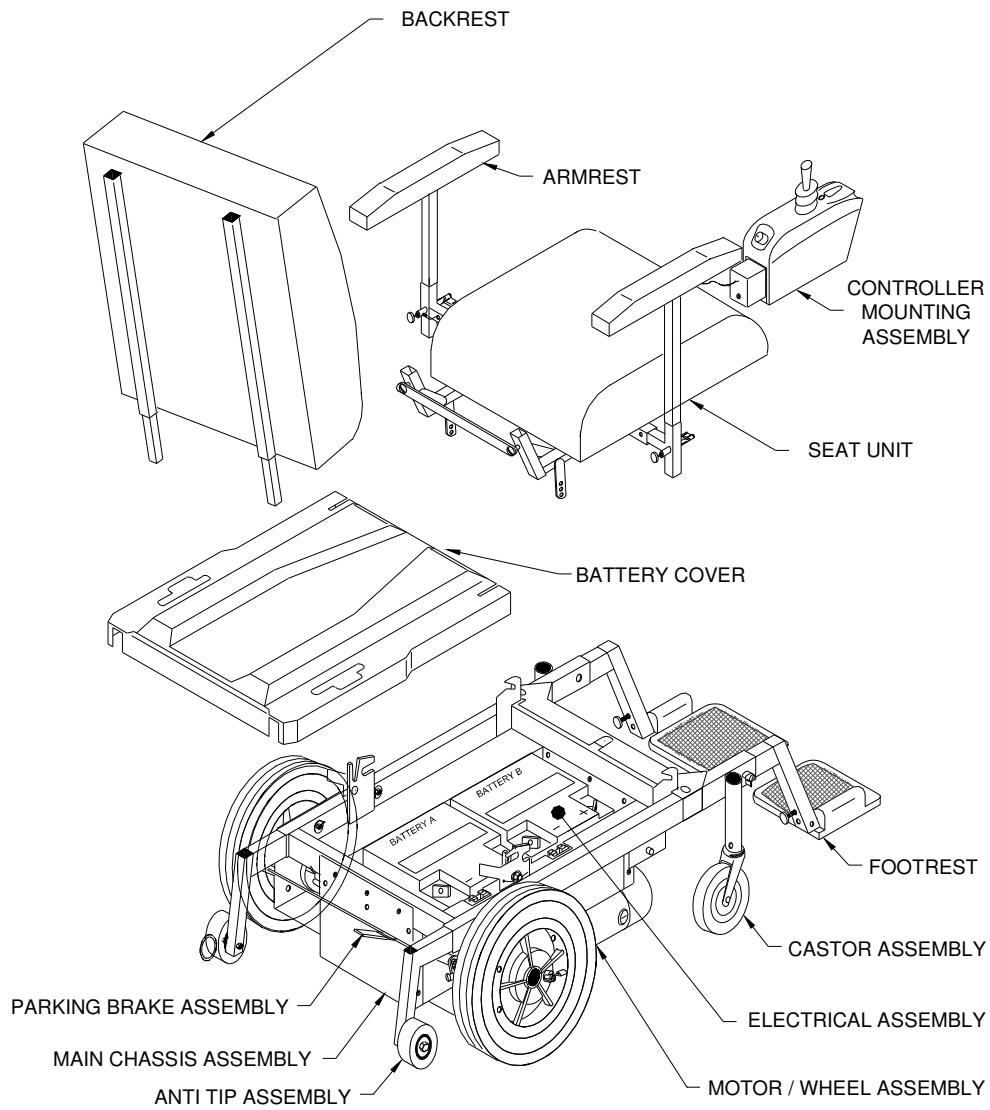
SECTION 10 VIXEN EPIC PARTS LISTS

- 10.1 Epic General Assembly
- 10.2 Epic Backrest
- 10.3 Epic Footrest
- 10.4 Epic Armrest
- 10.5 Epic Controller Mounting
- 10.6 Epic Seat Unit
- 10.7 Epic Motor and Drive Wheel Assembly
- 10.8 Epic Parking Brake
- 10.9 Epic Main Chassis Assembly
- 10.10 Epic Anti Tips
- 10.11 Epic Castor Assembly
- 10.12 Epic Electrical Assembly

Vixen Epic

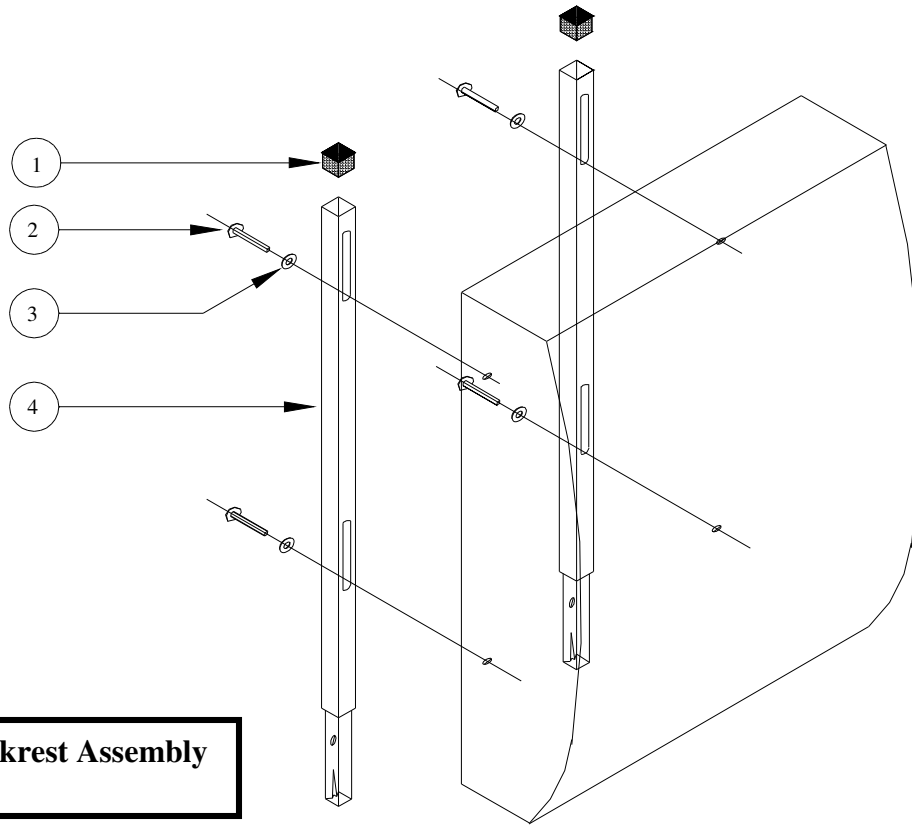
| DRAWING | TITLE |
|----------------|--|
| 024drg113 | Vixen Epic General Assembly |
| 024drg101 | Epic Backrest Assembly |
| 024drg102 | Epic Footrest Assembly |
| 024drg103 | Epic Armrest Assembly |
| 024drg104 | Epic Controller Mounting |
| 024drg105 | Epic Seat Unit |
| 024drg106 | Epic Motor Assembly |
| 024drg107 | Epic Parking Assembly |
| 024drg108 | Epic Main Chassis Assembly |
| 024drg109 | Epic Anti Tip Assembly |
| 024drg110 | Epic Castor Assembly |
| 024drg112 | Epic Electrical Assembly PGDT Pilot Integral |

10.1 Epic General Assembly



Vixen Epic General Assembly
024drg113

10.2 Epic Backrest



Epic Backrest Assembly
024drg102

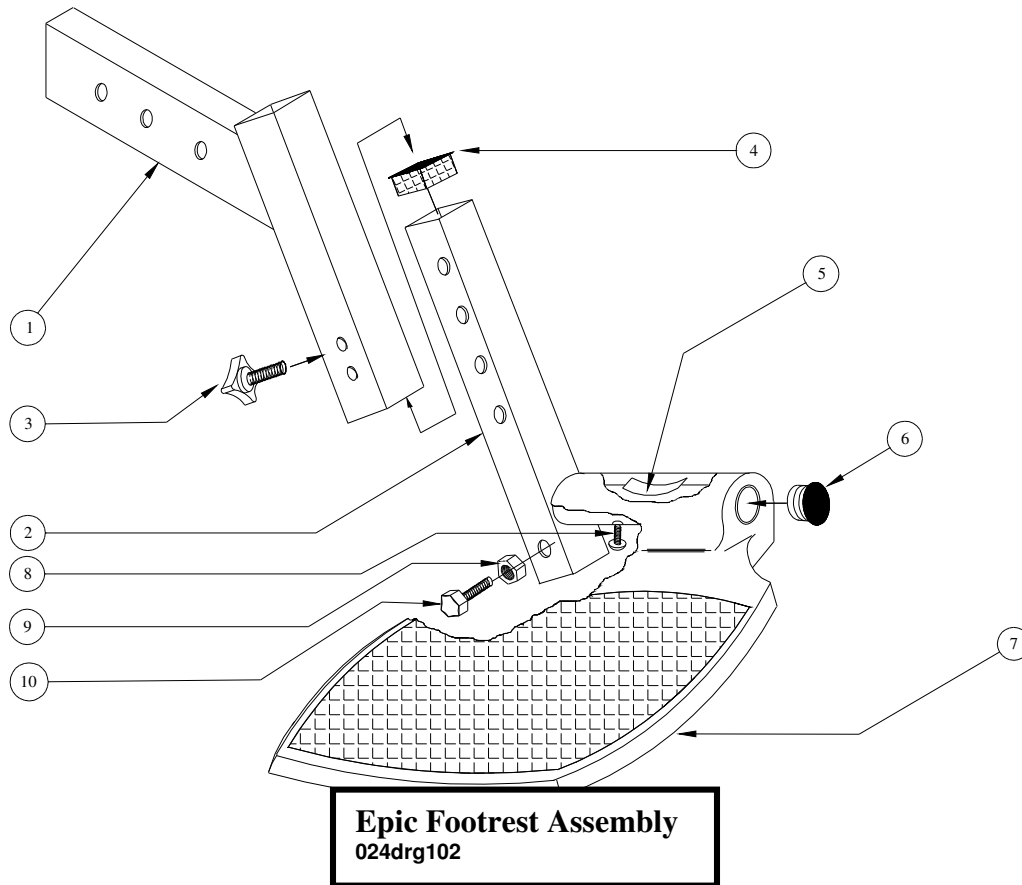
List of Parts for Epic Backrest Assembly

| Item No. | Part No. | Description |
|----------|---------------|--|
| | 09581 - 09585 | Backrest Assembly Complete 381mm(15") – 482mm(19") |
| | 09615 | Back Cushion 381mm (15") |
| | 09616 | Back Cushion 406mm (16") |
| | 09617 | Back Cushion 432mm (17") |
| | 09618 | Back Cushion 457mm (18") |
| | 09619 | Back Cushion 482mm (19") |

Standard back cushions are 508mm (20") high and have 3 sets of mounting holes, to allow up to 75mm (3") upward movement for lumbar adjustment.

| | | |
|---|-------|-------------------------|
| 1 | 03677 | End Cap 7/8" Square |
| 2 | 03003 | M6 Roofing Bolt |
| 3 | 02379 | Washer |
| 4 | 08612 | Backrest Frame Assembly |

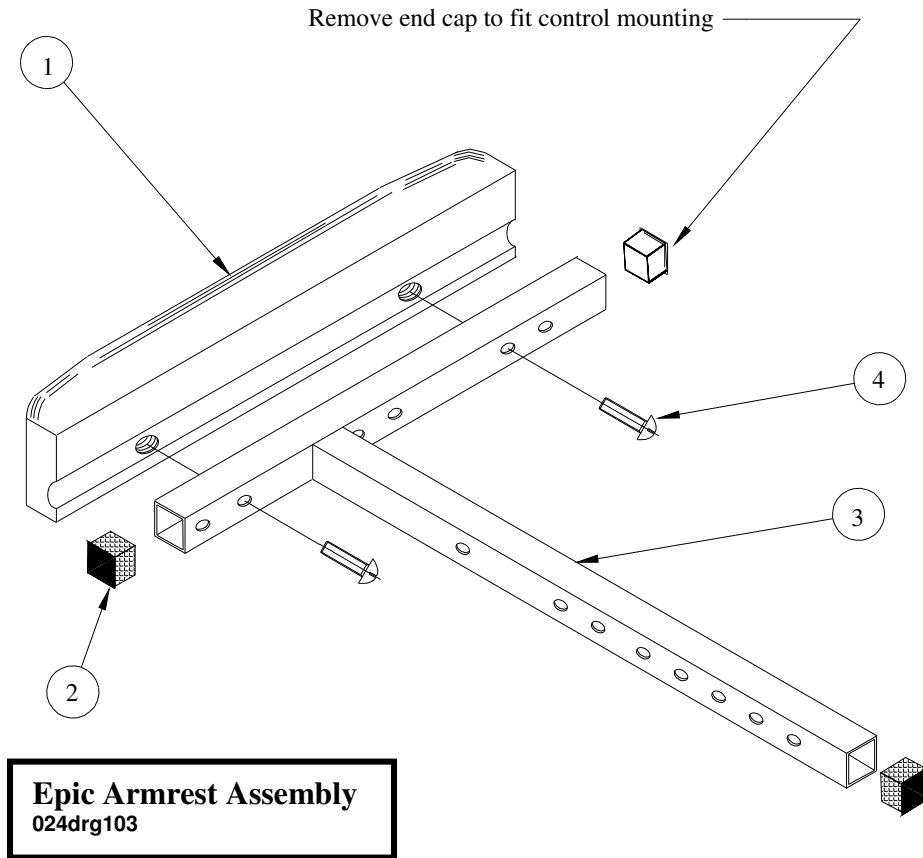
10.3 Epic Footrest



List of Parts for Epic Footrest Assembly

| Item No. | Part No. | Description |
|----------|----------|---|
| - | 10434 | Footrest Hanger & Folding Footrest Assembly R/H |
| - | 10435 | Footrest Hanger & Folding Footrest Assembly L/H |
| 1 | 10416 | Footrest Hanger – Square Format |
| 2 | 10432 | Footrest & Stem Assembly R/H – Square Format |
| 2 | 10433 | Footrest & Stem Assembly L/H – Square Format |
| 3 | 09784 | M6 Hand wheel |
| 4 | 03295 | End Cap |
| 5 | 02666 | Footplate Leaf Spring |
| 6 | 02652 | End Cap |
| 7 | 02665 | Footplate – Size 6 |
| 8 | 02667 | Self Tap Retaining Screw |
| 9 | 02669 | Nut M6 |
| 10 | 02269 | Set Screw M6 |

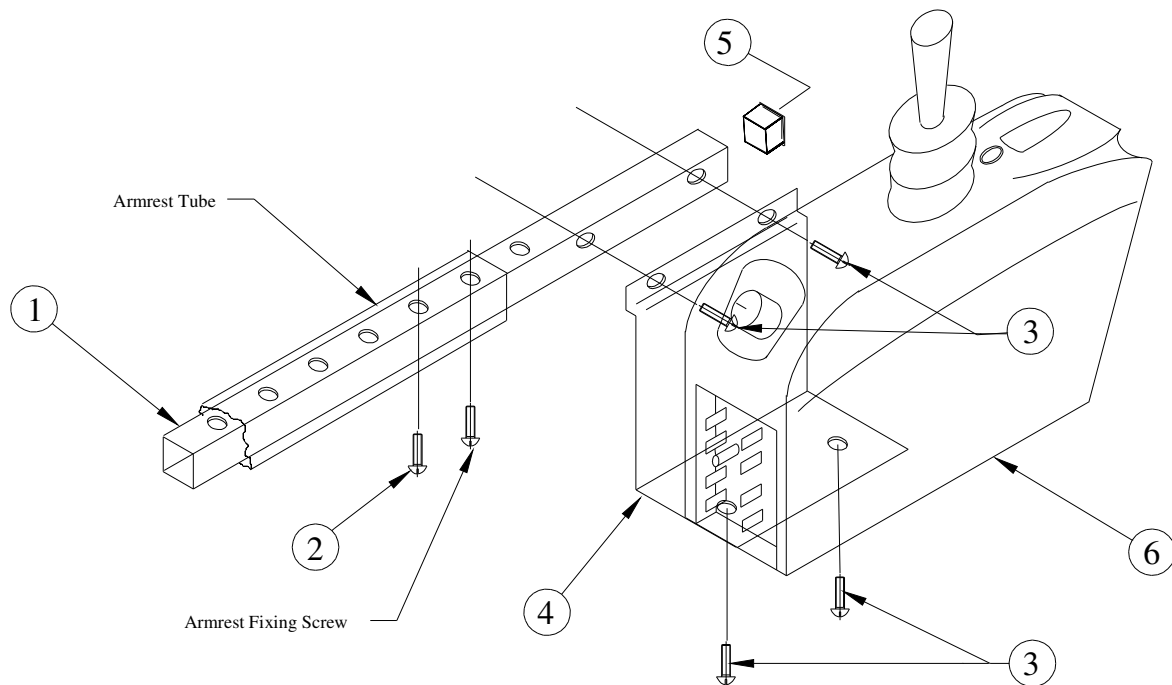
10.4 Epic Armrest



List of Parts for Epic Armrest Assembly

| Item No. | Part No. | Description |
|----------|----------|--|
| - | 09577 | Armrest Assembly R/H |
| - | 09578 | Armrest Assembly L/H |
| 1 | 09349 | Armpad – Black Cellular Moulding |
| 2 | 03295 | 3/4" sq Black Plastic Insert – 3 off |
| 3 | 04118 | Armrest Mounting Assembly |
| 4 | 09446 | No 12 x 40mm Pozi Self Tap Screw – 2 off |

10.5 Epic Controller Mounting

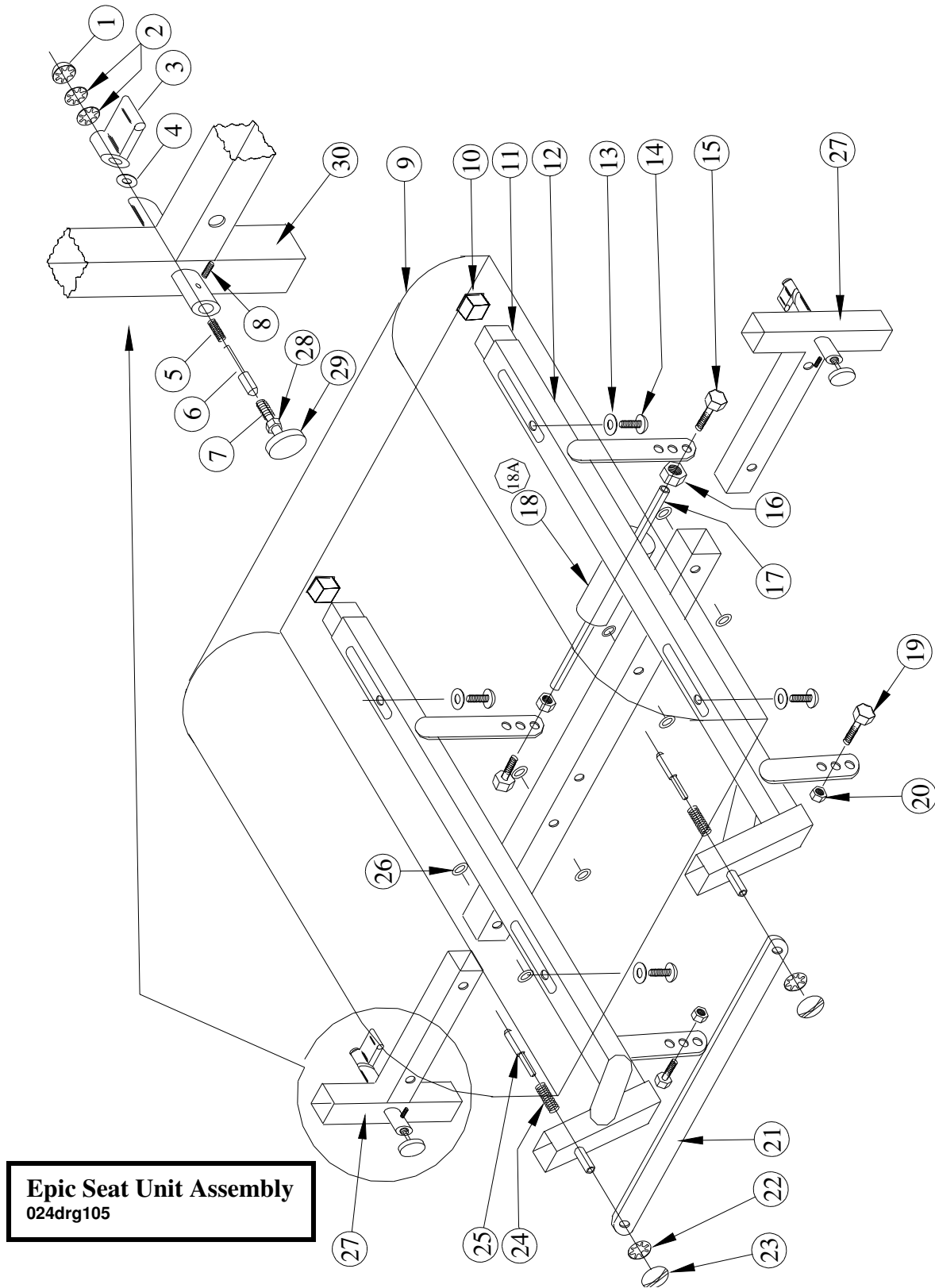


Epic PGDT Integral Control Mounting 024drg004

List of Parts for PGDT Integral Control Mounting.

| Item No. | Part No. | Description. |
|----------|----------|------------------------------------|
| 1 | 09177 | Controller Mounting Tube |
| 2 | 03012 | M6 x 10mm Locking Screw |
| 3 | 08337 | M5 x 5mm Pozi Pan Head – 4 off |
| 4 | 09180 | Controller Mounting Plate |
| 5 | 09182 | 15mm sq Black Plastic Insert |
| 6 | 09192 | PGDT Pilot Integral 40a Controller |

10.6 Epic Seat Unit



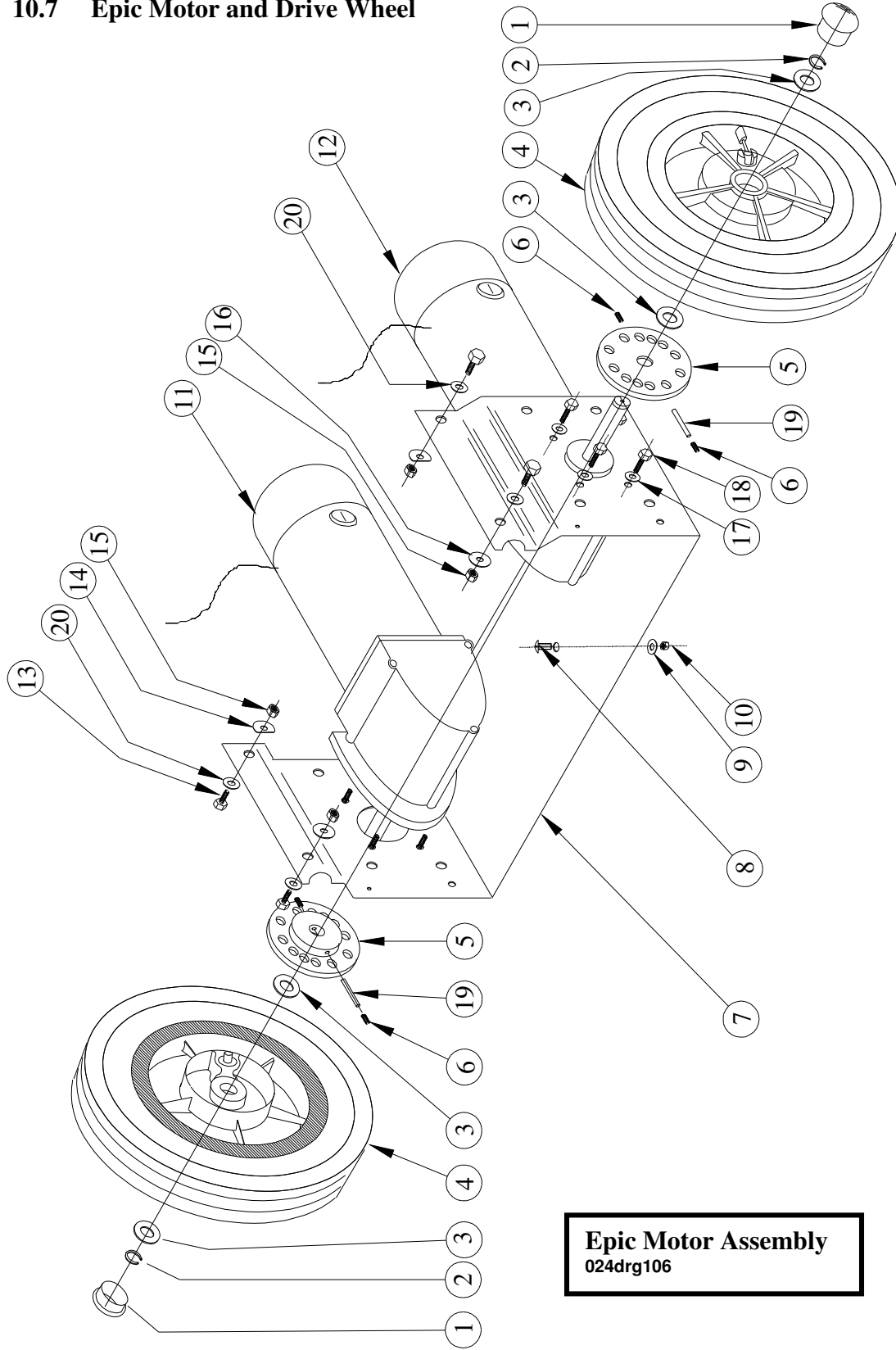
List of Parts for Epic Seat Assembly

| Item No. | Part No. | Description |
|-----------------|-----------------|--|
| - | 09591- 09595 | Seat Frame Assy 381mm(15") – 482mm (19") |
| - | 09592 | Seat Base Frame Assembly |
| 1 | 02688 | 3/16" Dia. Star lock – Capped – 2-off |
| 2 | 03516 | 3/16" Dia. Star lock - Plain – 4-off |
| 3 | 07331 | Latch Lever – 2-off |
| 4 | 08698 | Nylon Washer |
| 5 | 07525 | Compression Spring – 2-off |
| 6 | 07523 | Latch Pin – 2-off |
| 7 | 08206 | Clamping Pin – 2-off |
| 8 | 03751 | M6 x 6mm Socket Grub Screw – 2-off |

Standard seat cushions are available from 381mm (15") up to 482mm (19") wide. The length is 432mm (17"). There are two sets of mounting holes on the baseboard so the cushion can be moved forward 25mm (1"). The holes are offset to one edge so if the cushion is reversed, a length of 406mm (16") can be achieved.

| | | |
|----------|--------------|---|
| 9 | 09625 | Seat Cushion 381mm (15") |
| 9 | 09626 | Seat Cushion 406mm (16") |
| 9 | 09627 | Seat Cushion 432mm (17") |
| 9 | 09628 | Seat Cushion 458mm (18") |
| 9 | 09629 | Seat Cushion 482mm (19") |
| 10 | 03295 | ¾" x ¾" Black Plastic Insert – 2-off |
| 11 | 10036 | Insert – Seat frame – 2-off |
| 12 | 08608 | Seat Frame Assembly - Lower |
| 13 | 02379 | ¼" I/D x 5/8" O/D Plain Washer – 4-off |
| 14 | 03003 | M6 x 40mm Roofing Bolt – 4-off |
| 15 | 03382 | M8 x 35mm Bolt – 2-off |
| 16 | 02166 | M8 Thin Nut - 2-off |
| 17 | 09562 | Seat guide Tube |
| 18A | 09561 | Seat Guide Roller Assembly |
| 18 | 09563 | Seat Guide Roller |
| 19 | 02801 | M8 x 30mm Bolt 2-off |
| 20 | 02166 | M8 Thin Nut – 2-off |
| 21 | 09124 | Cross Link |
| 22 | 03516 | 3/16" Star lock Washer – Plain 2-off |
| 23 | 02688 | 3/16" Star lock Washer – Capped – 2-off |
| 24 | 02335 | Compression Spring – 2-off |
| 25 | 07523 | Latch Pin – 2-off |
| 26 | 09976 | Rivet 4.6mm x 12mm – 8-off |
| 27 | 08200 | Adj. Armrest Socket Assembly – 2-off |
| 28 | 02702 | M6 x 5mm Nut – 2-off |
| 29 | 09574 | M6 Hand wheel – Female – 2-off |
| 30 | 08202 | Armrest Socket Brazed Assembly – 2-off |

10.7 Epic Motor and Drive Wheel

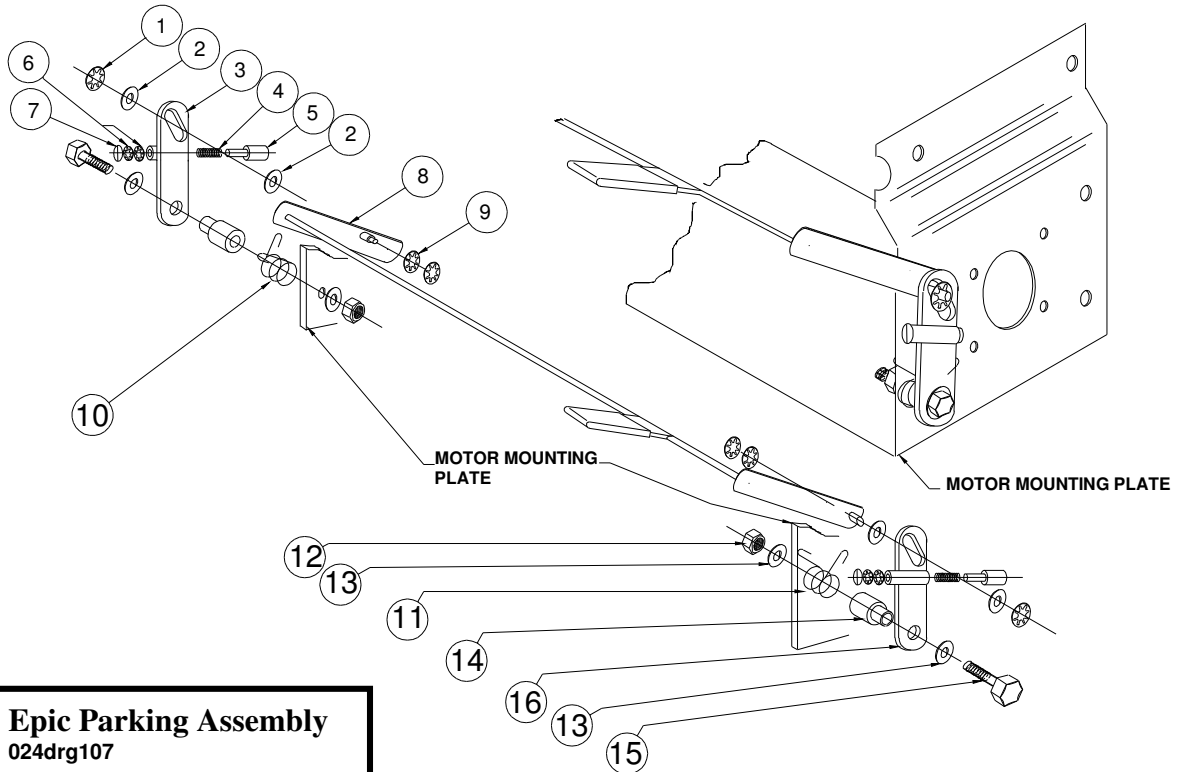


Epic Motor Assembly
024drg106

List of Parts for Epic Motor Assembly**Item No. Part No. Description**

| | | |
|----|-------|--|
| 1 | 03570 | Dust Cap |
| 2 | 03569 | Circlip |
| 3 | 03568 | Thrust Washers |
| 4 | 08550 | Drive Wheel Assembly. Light Duty Inflatable Tyre |
| 4 | 08552 | Drive Wheel Assembly. Infill Puncture Proof Tyre |
| 5 | 03731 | Clutch Disc |
| 6 | 03751 | Grub Screws |
| 7 | 09297 | Motor Mounting Plate |
| 8 | 03588 | Screw 2BA x 1/2" Countersunk |
| 9 | 01251 | Washer 1/2" |
| 10 | 04437 | 2BA Nyloc Nut |
| 11 | 09430 | Motor Fracmo 24v / 12v Brake 68rpm L/H |
| 12 | 09429 | Motor Fracmo 24v / 12v Brake 68rpm R/H |
| 13 | 03382 | M8 Bolt |
| 14 | 09974 | D Washer |
| 15 | 02803 | M8 Nyloc Nut |
| 16 | 04422 | 1 1/4" Penny Washer |
| 17 | 02379 | Washer 5/8" |
| 18 | 03586 | Set Screw |
| 19 | 03570 | Dowel Pin |
| 20 | 02810 | M8 Washer |

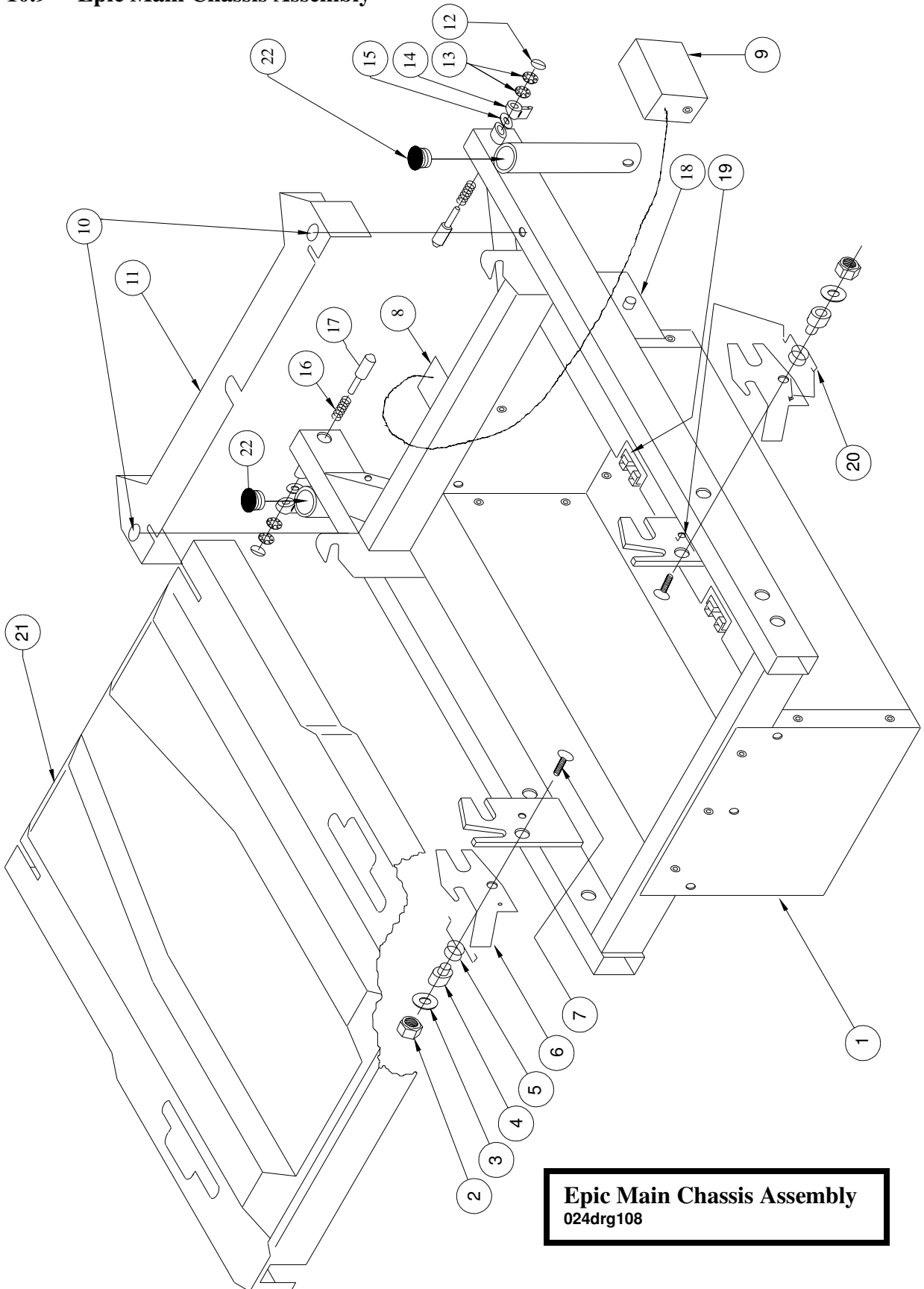
10.8 Epic Parking Brake



List of Parts for Epic Parking Brake Assembly

| Item No. | Part No. | Description |
|----------|----------|-----------------------------------|
| 1 | 02705 | M6 Nyloc Nut – 2-Off |
| 2 | 02964 | 6mm x 12mm x 0.8mm Washer - 4 off |
| 3 | 09277 | Brake Lever Assembly L/H |
| 4 | 04484 | Compression Spring 2 off |
| 5 | 09156 | Plunger Pin 2 off |
| 6 | 03516 | 3/16" Star lock – Uncapped 4 off |
| 7 | 02688 | 3/16" Star lock – Capped 4 off |
| 8 | 09273 | Brake Pedal Brazed Assembly |
| 9 | 04474 | 1/4" Star lock – Uncapped 4 off |
| 10 | 09358 | Brake Return Spring L/H |
| 11 | 09357 | Brake Return Spring R/H |
| 12 | 02813 | M6 Nyloc Nut 2 off |
| 13 | 02807 | 1/4" x 5/8" x 0.040" Washer 4 off |
| 14 | 09281 | Brake Lever Bush |
| 15 | 02844 | M6 x 30mm Bolt 2 off |
| 16 | 09276 | Brake Lever Assembly R/H |

10.9 Epic Main Chassis Assembly

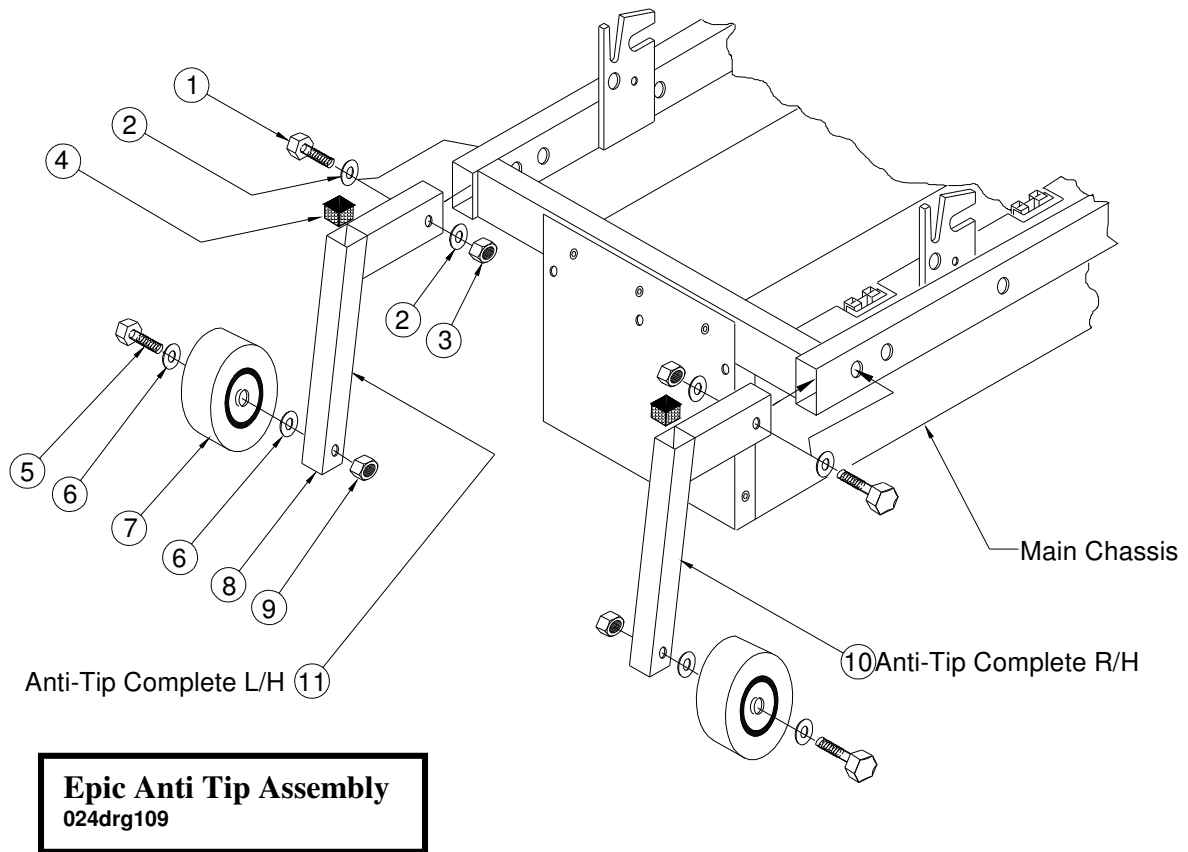


Epic Main Chassis Assembly
024drg108

List of Parts for Epic Main Chassis Assembly

| Item No. | Part No. | Description |
|-----------------|-----------------|--|
| 1 | 09451 | Chassis Assembly Riveted |
| 2 | 02705 | M6 Nyloc Nut 2 off |
| 3 | 02379 | Washer I/D 1/4", O/D 5/8" x 19 SWG 2 off |
| 4 | 09918 | Bush – Seat Latch 2 off |
| 5 | 09558 | Spring – Latch Return – L/H |
| 6 | 09554 | Seat Latch 2 off |
| 7 | 09539 | M6 x 25mm Bolt 2 off |
| 8 | 09468 | Harness Retaining Bracket |
| 9 | 09980 | Harness Assembly |
| 10 | 09576 | Fir Tree Fix 2 off |
| 11 | 09467 | Chassis Cover – Front Section |
| 12 | 02688 | 3/16" Dia. Star lock – Capped |
| 13 | 03516 | 3/16" Dia. Star lock – Uncapped – 2 off |
| 14 | 07331 | Latch Lever |
| 15 | 08698 | Washer – Nylon O/D 12mm, I/D 6mm |
| 16 | 07525 | Compression Spring |
| 17 | 07523 | Latch Pin |
| 18 | 06286 | 30A Thermal Circuit Breaker |
| 19 | 10295 | Battery Harness |
| 20 | 09557 | Spring - Latch Return – R/H |
| 21 | 09466 | Chassis Cover Main Section |

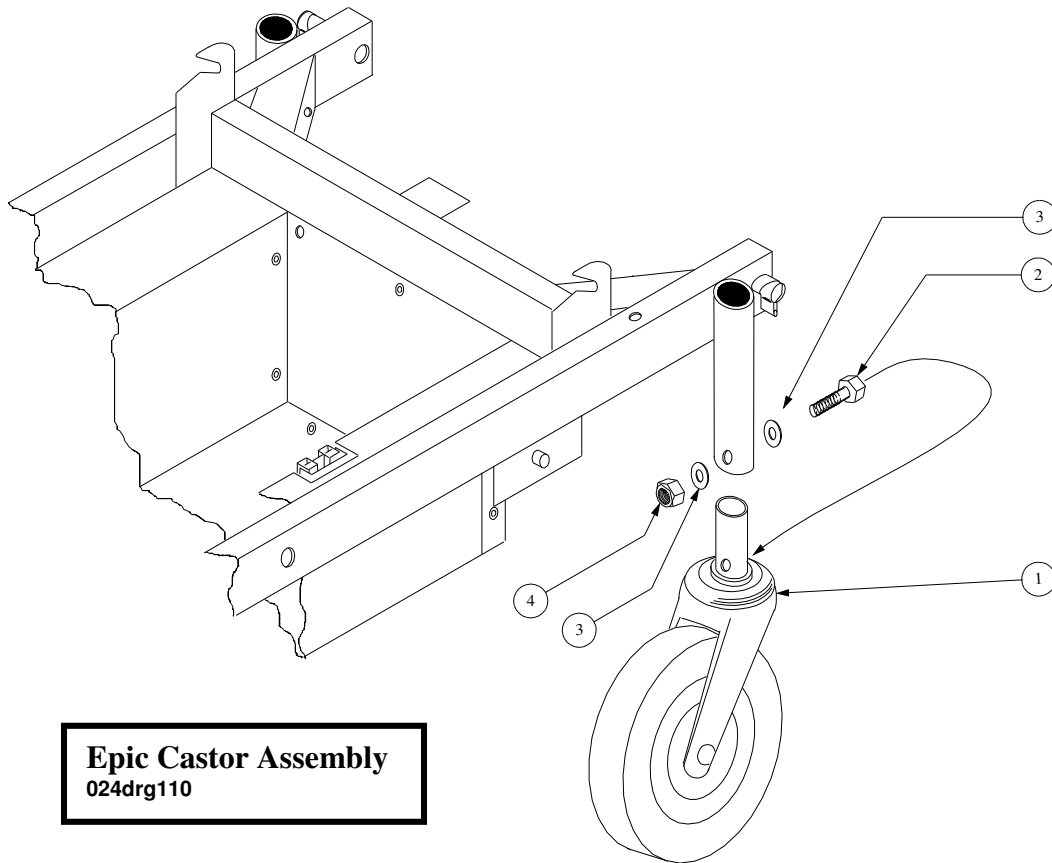
10.10 Epic Anti Tips



List of Parts for Epic Anti-Tip Assembly

| Item No. | Part No. | Description |
|----------|----------|---|
| 1 | 02839 | M6 x 35mm Bolt – 2 off |
| 2 | 02379 | Washer I/D 1/4" O/D 5/8" x 19 SWG – 4 off |
| 3 | 02813 | M6 Nyloc Nut 2 off |
| 4 | 03295 | 3/4" x 3/4" Square Black Plastic Insert – 2 off |
| 5 | 02713 | M8 x 50mm Bolt – 2 off |
| 6 | 02706 | Washer I/D 8mm, O/D 18mm x 19 SWG 4 off |
| 7 | 06646 | Jockey Wheel – 40mm Dia. – 2 off |
| 8 | 10418 | Anti-Tip Mounting Assembly – 2 off |
| 9 | 02886 | M8 Nyloc Nut – 2 off |
| 10 | 10409 | Anti-Tip Assembly L/H |
| 11 | 10408 | Anti-Tip Assembly R/H |

10.11 Epic Castor

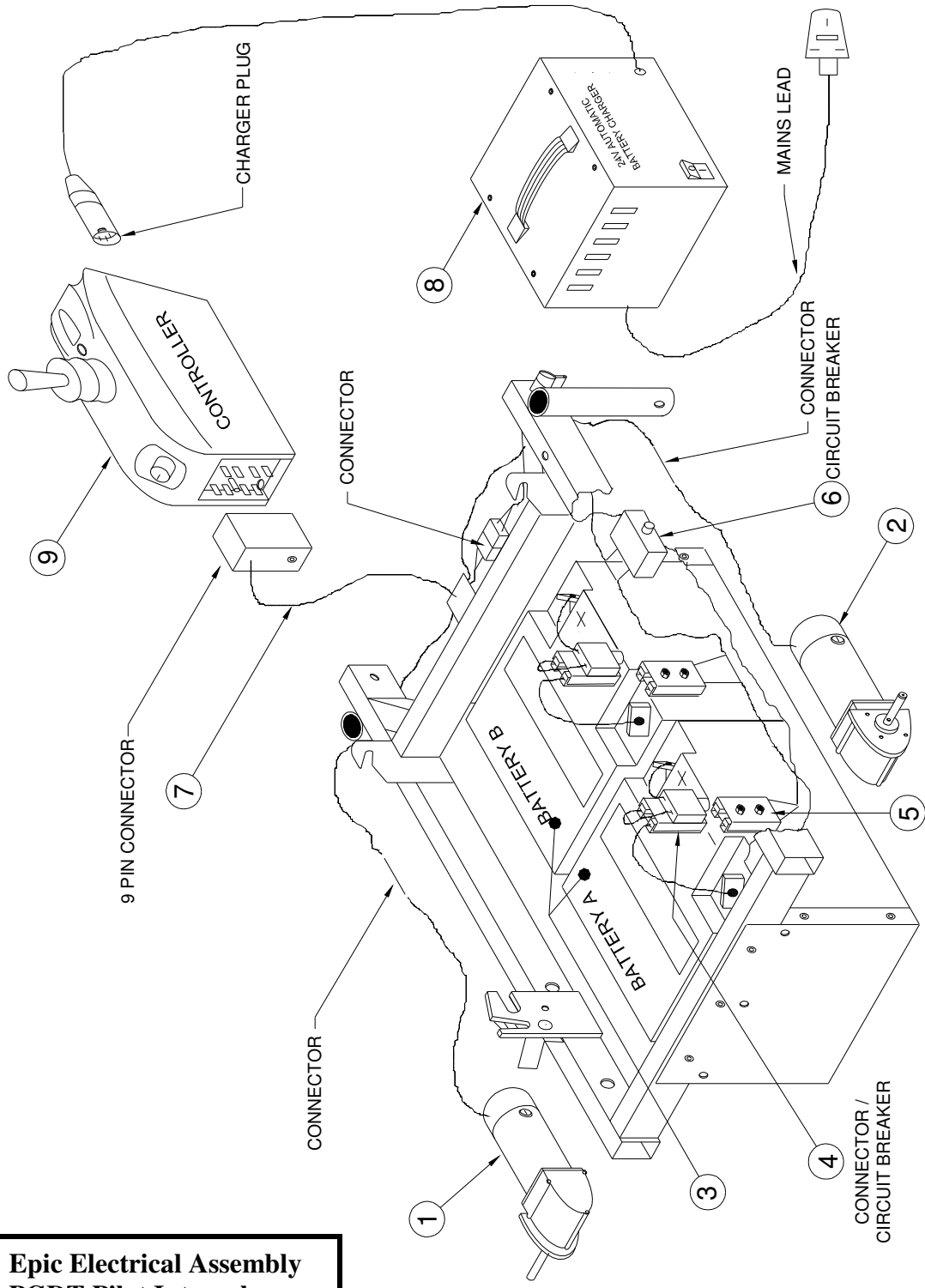


Epic Castor Assembly
024drg110

List of Parts for Epic Castor Assembly

| Item No. | Part No. | Description |
|----------|----------|-----------------------|
| 1 | 03771 | Castor Assembly 2 off |
| 2 | 02839 | M6 Bolt x 35mm |
| 3 | 01057 | M6 Washer 2 off |
| 4 | 02705 | M6 Nyloc Nut |

10.12 Epic Electrical Assembly



Epic Electrical Assembly
PGDT Pilot Integral
024drg112

List of Parts for Epic Electrical Assembly – P & G Integral

| Item No. | Part No. | Description |
|-----------------|-----------------|--|
| 1 | 09430 | Fracmo Motor 68 RPM L/H |
| 2 | 09429 | Fracmo Motor 68 RPM R/H |
| 3 | 09391 | Battery - Sonnenschein A500 Dry fit Cyclic |
| 4 | 07223 | Battery Connecting Lead Assembly |
| 5 | 10295 | Battery Harness PGDT |
| 6 | 06286 | 30A Thermal Circuit Breaker |
| 7 | 09980 | Harness Assembly with Beau Plug |
| 8 | 09389 | Battery Charger |
| 9 | 09192 | PGDT Pilot Integral 40a Controller |