

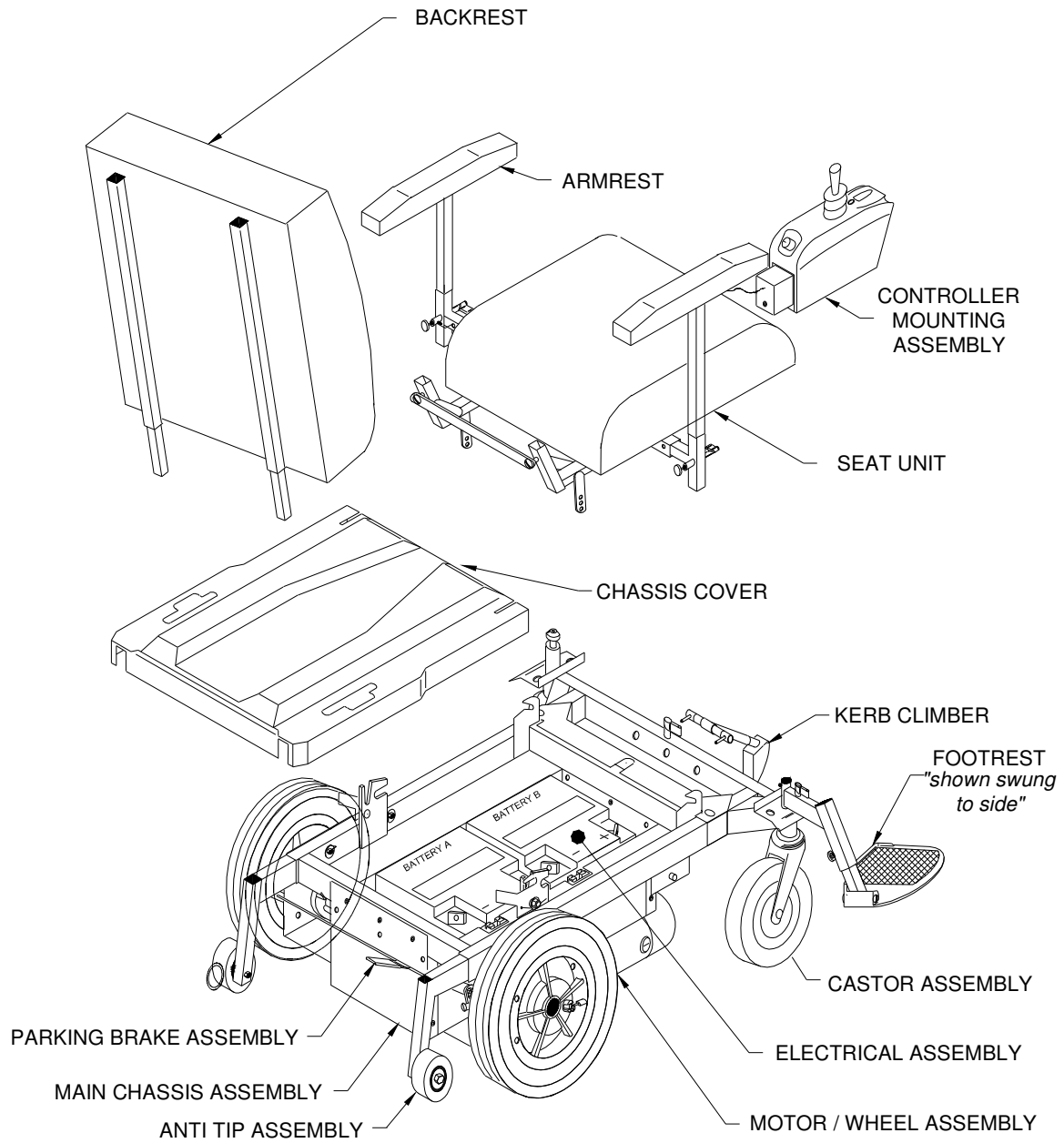
SECTION 11 VIXEN EPIOC PARTS LISTS

- 11.1 Epioc General Assembly
- 11.2 Epioc Backrest
- 11.3 Epioc Footrest
- 11.4 Epioc Armrest
- 11.5 Epioc Controller Mounting
- 11.6 Epioc Seat Unit
- 11.7 Epioc Motor and Drive Wheel Assembly
- 11.8 Epioc Parking Brake
- 11.9 Epioc Main Chassis Assembly
- 11.10 Epioc Anti Tips
- 11.11 Epioc Castor Assembly
- 11.12 Epioc Kerb Climber
- 11.13 Epioc Electrical Assembly

Vixen Epioc

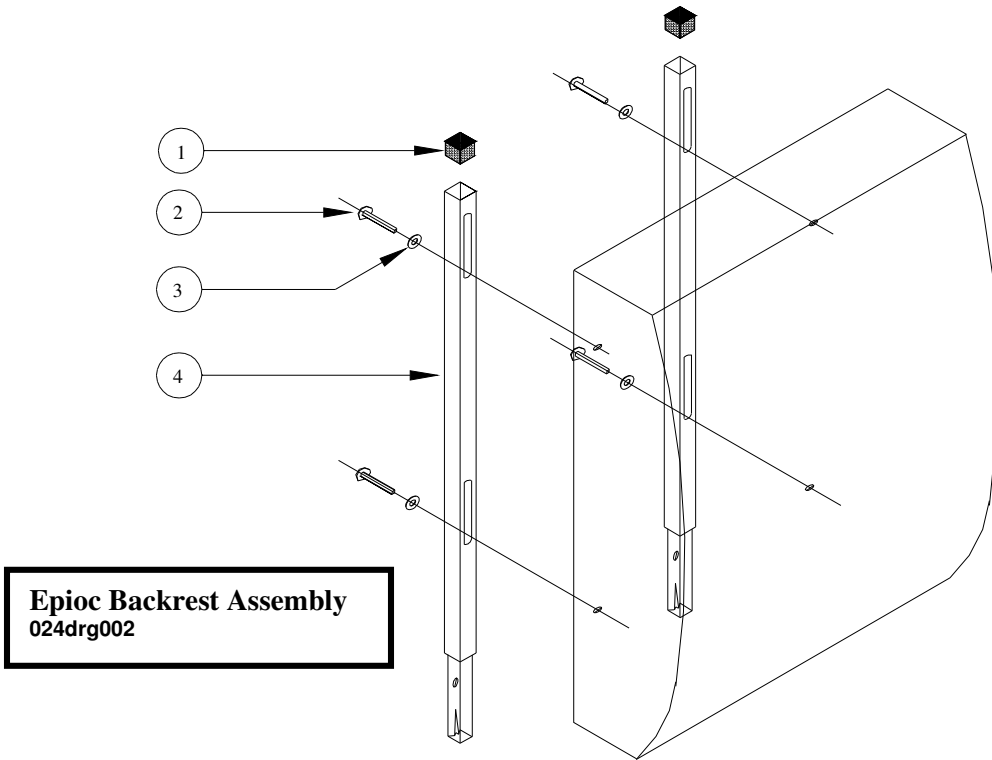
DRAWING	TITLE
024drg013	Epioc General Assembly
024drg001	Epioc Backrest Assembly
024drg002	Epioc Footrest Assembly
024drg003	Epioc Armrest Assembly
024drg004	Epioc Controller Mounting
024drg005	Epioc Seat Unit
024drg006	Epioc Motor Assembly
024drg007	Epioc Parking Assembly
024drg008	Epioc Main Chassis Assembly
024drg009	Epioc Anti Tip Assembly
024drg010	Epioc Castor Assembly
024drg011	Epioc Kerb Climber Assembly
024drg012	Epioc Electrical Assembly PGDT Pilot Integral

11.1 Epioc General Assembly



Vixen Epioc General Assembly
024drg013

11.2 Epioc Backrest



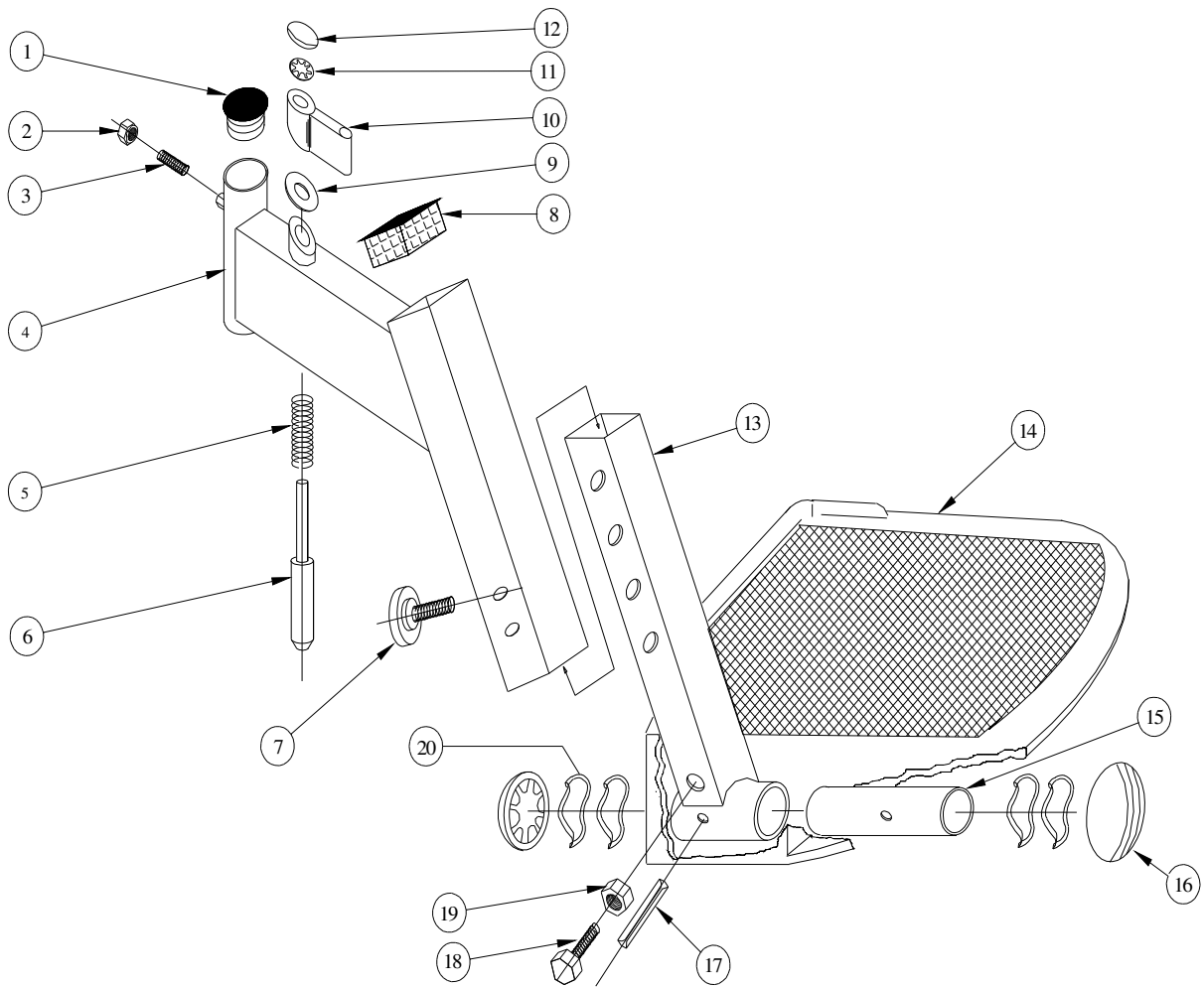
List of Parts for Epioc Backrest Assembly

Item No.	Part No.	Description
	09581 - 09585	Backrest Assembly Complete 381mm(15") – 482mm(19")
	09615	Back Cushion 381mm (15")
	09616	Back Cushion 406mm (16")
	09617	Back Cushion 432mm (17")
	09618	Back Cushion 457mm (18")
	09619	Back Cushion 482mm (19")

Standard back cushions are 508mm (20") high and have 3 sets of mounting holes, to allow up to 75mm (3") upward movement for lumbar adjustment.

1	03677	End Cap 7/8" Square
2	03003	M6 Roofing Bolt
3	02379	Washer
4	08612	Backrest Frame Assembly

11.3 Epioc Footrest

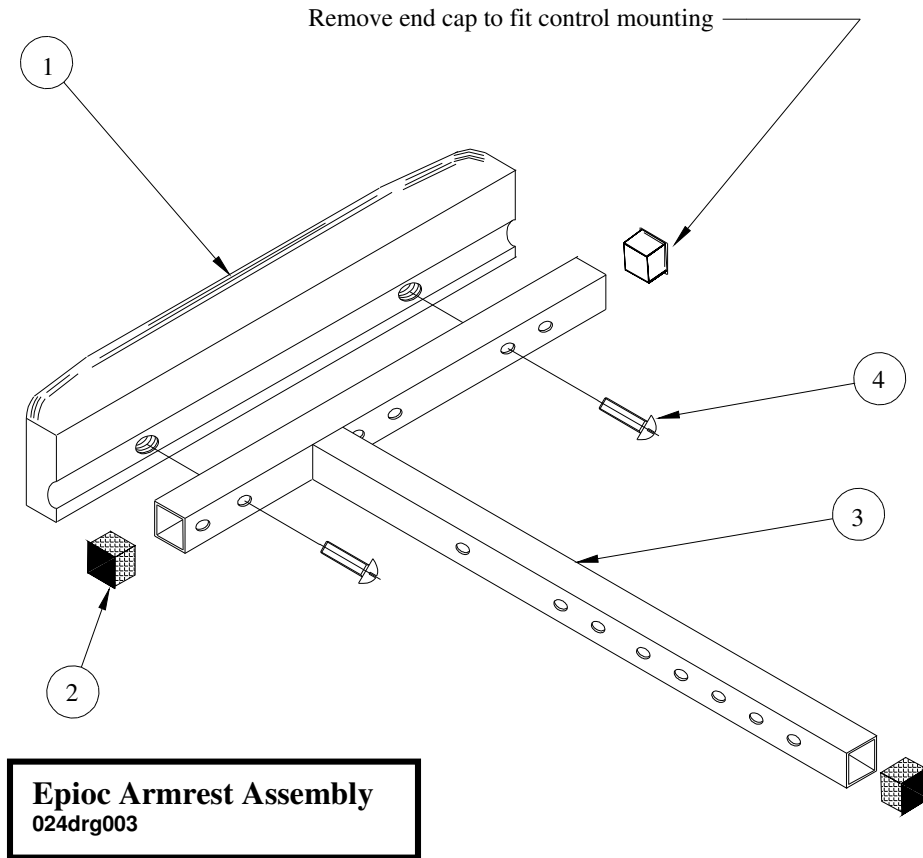


Epioc Footrest Assembly
024drg002

List of Parts for Epioc Footrest Assembly

Item No.	Part No.	Description
-	10428	Footrest Hanger & Folding Footrest Assembly R/H
-	10429	Footrest Hanger & Folding Footrest Assembly L/H
-	10431	Footrest Hanger Assembly
-	10426	Footrest & Stem Assembly R/H
-	10427	Footrest & Stem Assembly L/H
1	03334	End Cap
2	02166	Hexagon Nut M8
3	10518	Grub Screw M8
4	10410	Footrest Hanger – Square Format
5	04484	Spring
6	07330	Plunger Pin
7	09784	Hand wheel M6
8	03677	End Cap $\frac{7}{8}$ " Square
9	08698	Washer – Nylon O/D 12mm, I/D 6mm
10	07331	Latch Lever
11	02688	Star lock Washer –Uncapped
12	03516	Star lock Washer – Capped
13	10412	Footrest Stem Assembly
14	07392	Footplate R/H
14A	07393	Footplate L/H
15	02297	Pivot Tube
16	02305	Star cap Washer – Capped
17	02309	Roll Pin
18	04058	Adjustment Screw
19	02669	Nut – Thin
20	02311	Wavy Washer

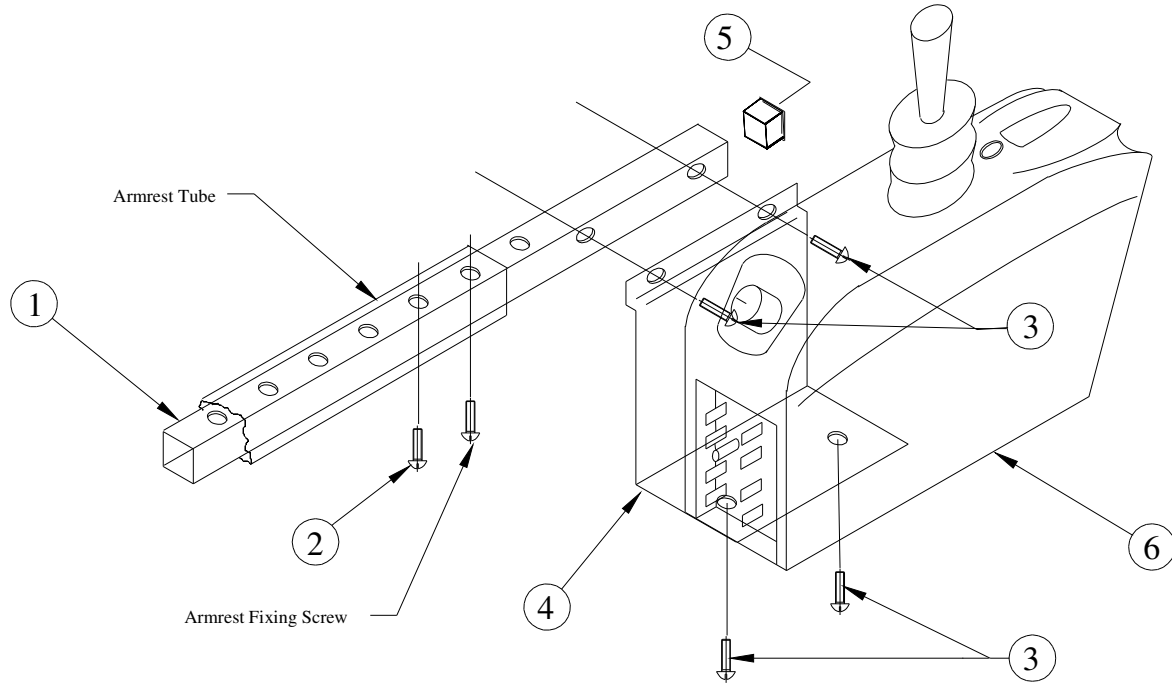
11.4 Epioc Armrest



List of Parts for Epioc Armrest Assembly

Item No.	Part No.	Description
-	09577	Armrest Assembly R/H
-	09578	Armrest Assembly L/H
1	09349	Armpad – Black Cellular Moulding
2	03295	3/4" sq Black Plastic Insert – 3 off
3	04118	Armrest Mounting Assembly
4	09446	No 12 x 40mm Pozi Self Tap Screw – 2 off

11.5 Epioc Controller Mounting

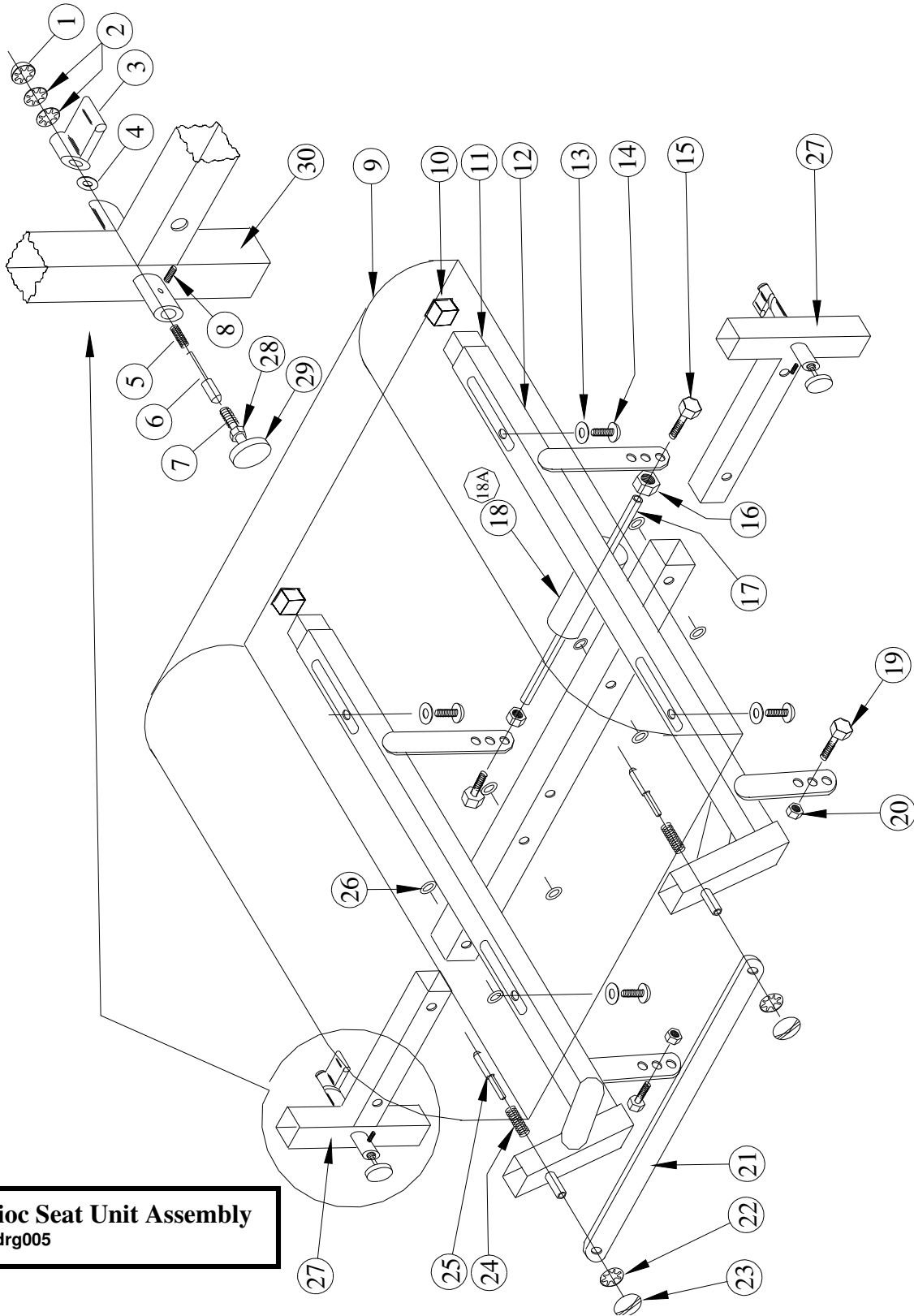


Epioc PGDT Integral Control Mounting 024drg004

List of Parts for PGDT Integral Control Mounting.

Item No.	Part No.	Description.
1	09177	Controller Mounting Tube
2	03012	M6 x 10mm Locking Screw
3	08337	M5 x 5mm Pozi Pan Head – 4 off
4	09180	Controller Mounting Plate
5	09182	15mm sq Black Plastic Insert
6	09192	PGDT Pilot Integral 40a Controller

11.6 Epioc Seat Unit



Epioc Seat Unit Assembly
024drg005

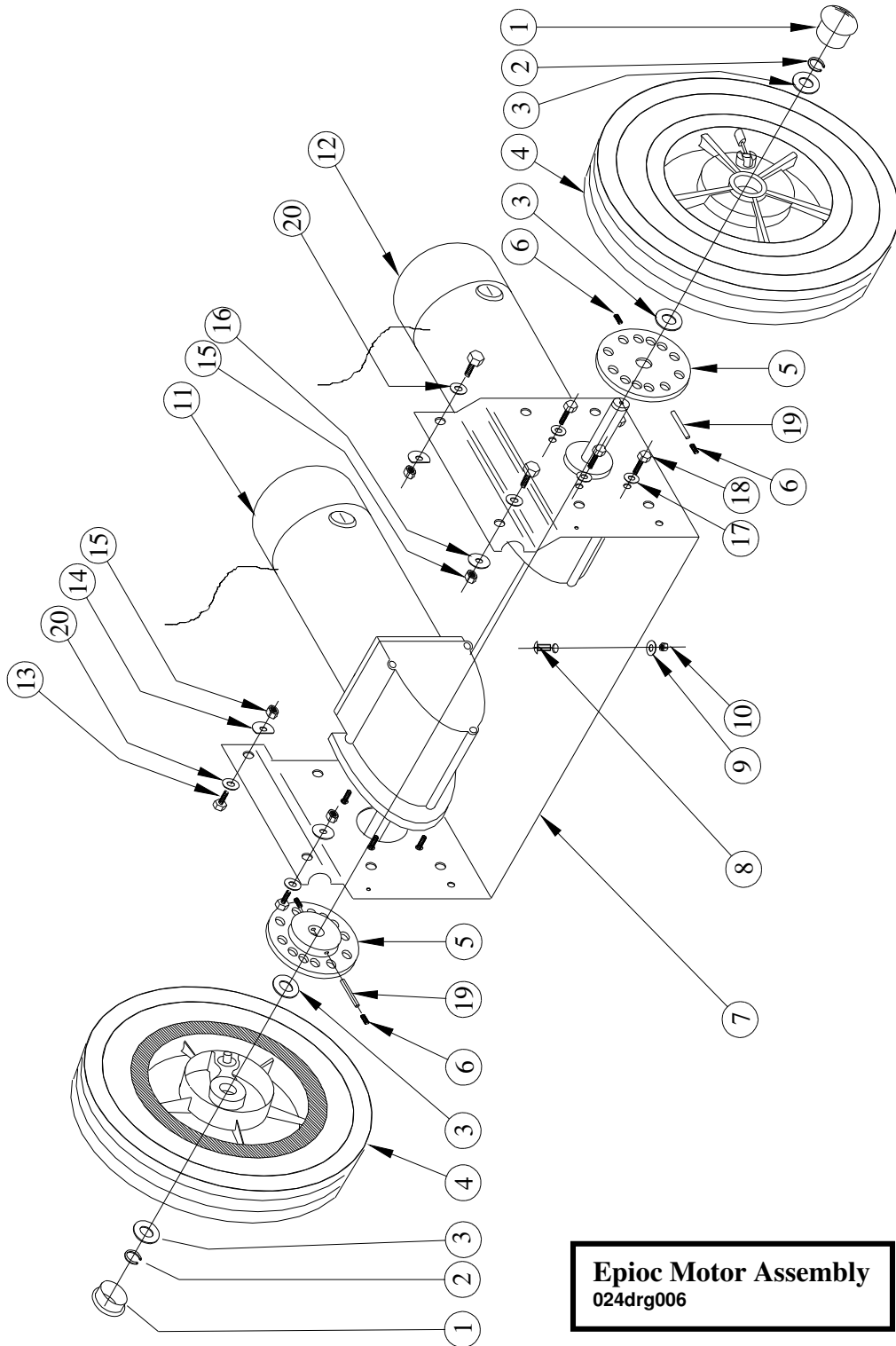
List of Parts for Epioc Seat Assembly

Item No.	Part No.	Description
-	09591- 09595	Seat Frame Assembly 381mm(15") – 482mm (19")
-	09592	Seat Base Frame Assembly
1	02688	3/16" Dia. Star lock – Capped – 2-off
2	03516	3/16" Dia. Star lock - Plain – 4-off
3	07331	Latch Lever – 2-off
4	08698	Nylon Washer
5	07525	Compression Spring – 2-off
6	07523	Latch Pin – 2-off
7	08206	Clamping Pin – 2-off
8	03751	M6 x 6mm Socket Grub Screw – 2-off

Standard seat cushions are available from 381mm (15") up to 482mm (19") wide. The length is 432mm (17"). There are two sets of mounting holes on the baseboard so the cushion can be moved forward 25mm (1"). The holes are offset to one edge so if the cushion is reversed, a length of 406mm (16") can be achieved.

9	09625	Seat Cushion 381mm (15")
9	09626	Seat Cushion 406mm (16")
9	09627	Seat Cushion 432mm (17")
9	09628	Seat Cushion 458mm (18")
9	09629	Seat Cushion 482mm (19")
10	03295	3/4" x 3/4" Black Plastic Insert – 2-off
11	10036	Insert – Seat frame – 2-off
12	08608	Seat Frame Assembly - Lower
13	02379	1/4" I/D x 5/8" O/D Plain Washer – 4-off
14	03003	M6 x 40mm Roofing Bolt – 4-off
15	03382	M8 x 35mm Bolt – 2-off
16	02166	M8 Thin Nut - 2-off
17	09562	Seat guide Tube
18A	09561	Seat Guide Roller Assembly
18	09563	Seat Guide Roller
19	02801	M8 x 30mm Bolt 2-off
20	02166	M8 Thin Nut – 2-off
21	09124	Cross Link
22	03516	3/16" Star lock Washer – Plain 2-off
23	02688	3/16" Star lock Washer – Capped – 2-off
24	02335	Compression Spring – 2-off
25	07523	Latch Pin – 2-off
26	09976	Rivet 4.6mm x 12mm – 8-off
27	08200	Adj. Armrest Socket Assembly – 2-off
28	02702	M6 x 5mm Nut – 2-off
29	09574	M6 Hand wheel – Female – 2-off
30	08202	Armrest Socket Brazed Assembly – 2-off

11.7 Epioc Motor and Drive Wheel Assembly

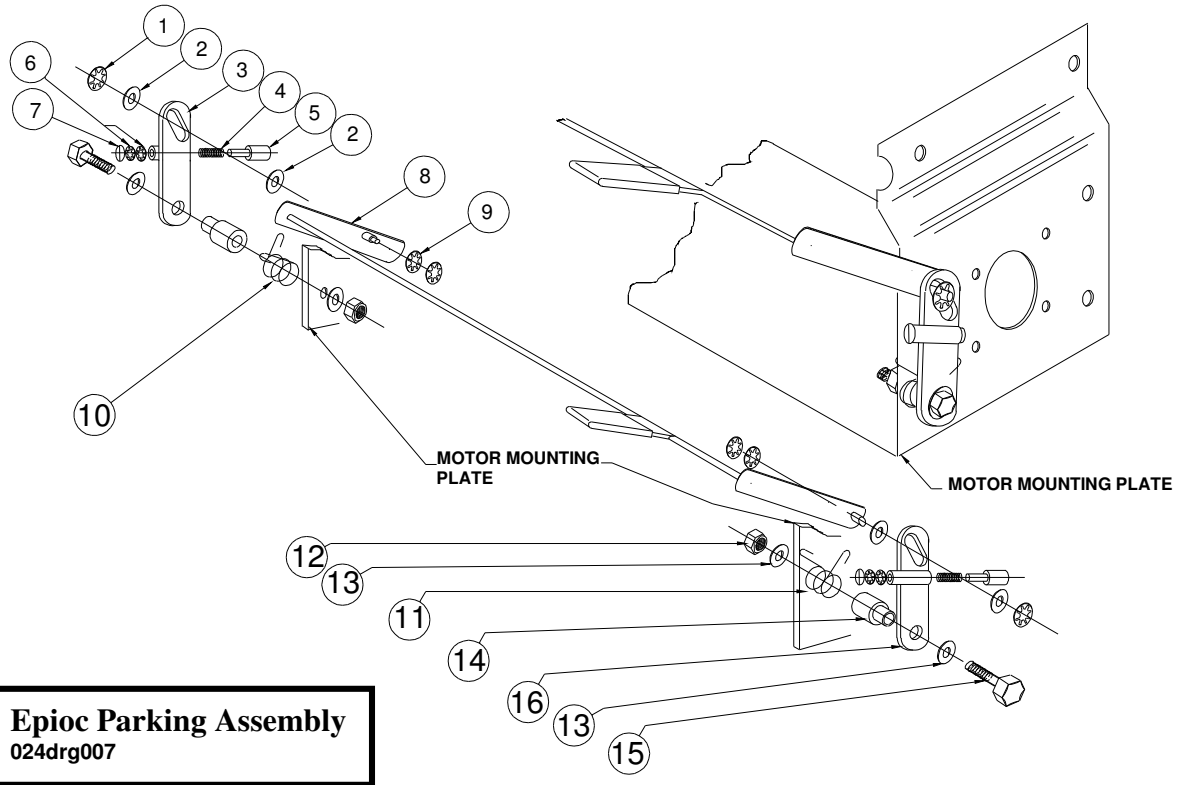


Epioc Motor Assembly
024drg006

List of Parts for Epioc Motor Assembly

Item No.	Part No.	Description
1	03570	Dust Cap
2	03569	Circlip
3	03568	Thrust Washers
4	08552	Drive Wheel Assembly with Infill Puncture Proof Tyre
5	03731	Clutch Disc
6	03751	Grub Screws
7	09297	Motor Mounting Plate
8	03588	Screw 2BA x 1/2" Countersunk
9	01251	Washer 1/2"
10	04437	Nyloc Nut 2BA
11	09360	Motor Fracmo 24v/12v Brake 110rpm L/H
12	09359	Motor Fracmo 24v/12v Brake 110rpm R/H
13	03382	M8 Bolt
14	09974	D Washer
15	02803	M8 Nyloc Nut
16	04422	Penny Washer 1 1/4"
17	02379	Washer
18	03586	M6 Set Screw
19	03570	Dowel Pin
20	02810	Washer 8mm

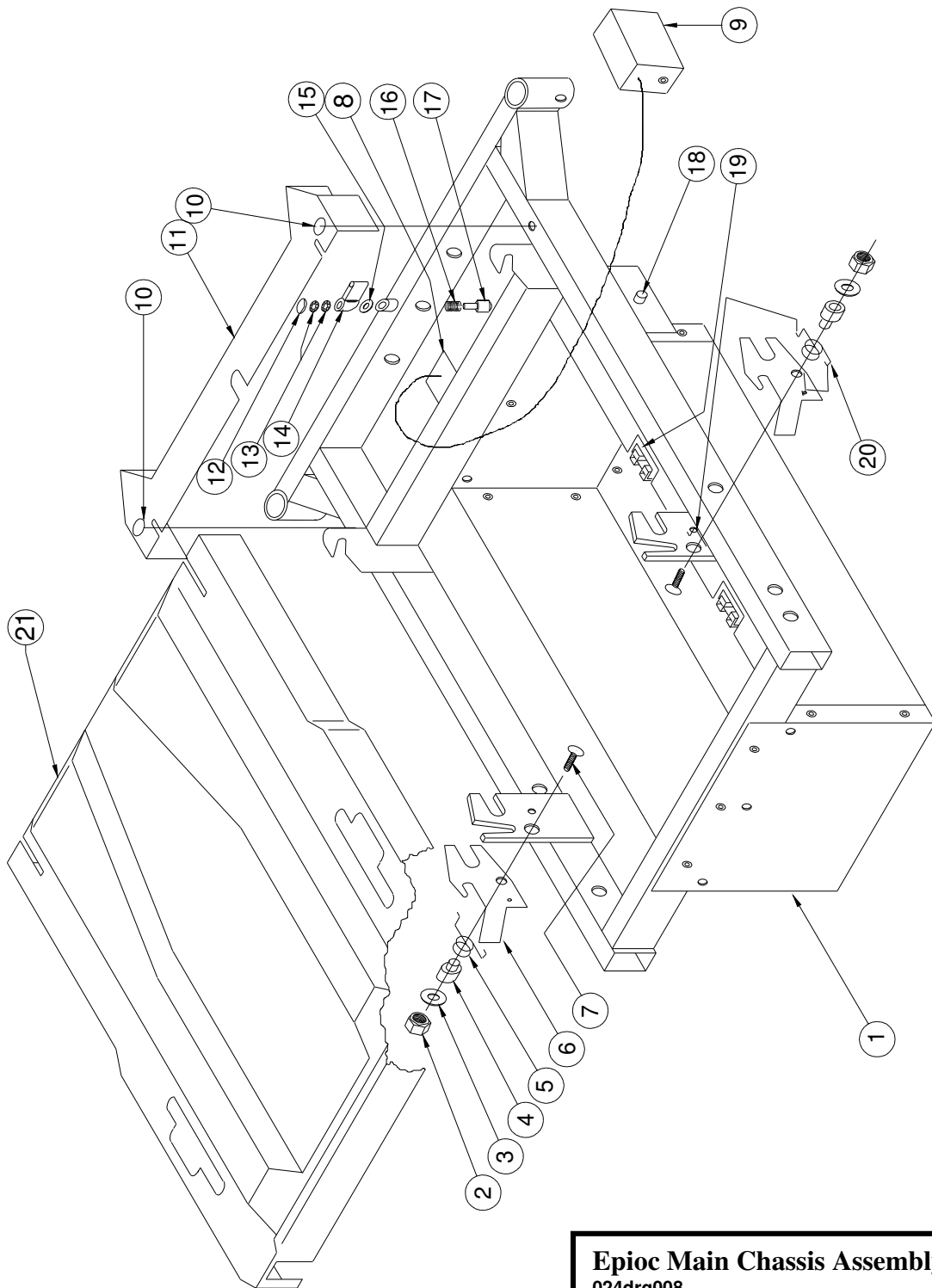
11.8 Epioc Parking Brake



List of Parts for Epioc Parking Brake Assembly

Item No.	Part No.	Description
1	02705	M6 Nyloc Nut – 2-Off
2	02964	6mm x 12mm x 0.8mm Washer - 4 off
3	09277	Brake Lever Assembly L/H
4	04484	Compression Spring 2 off
5	09156	Plunger Pin 2 off
6	03516	3/16" Star lock – Uncapped 4 off
7	02688	3/16" Star lock – Capped 4 off
8	09273	Brake Pedal Brazed Assembly
9	04474	1/4" Star lock – Uncapped 4 off
10	09358	Brake Return Spring L/H
11	09357	Brake Return Spring R/H
12	02813	M6 Nyloc Nut 2 off
13	02807	1/4" x 5/8" x 0.040" Washer 4 off
14	09281	Brake Lever Bush
15	02844	M6 x 30mm Bolt 2 off
16	09276	Brake Lever Assembly R/H

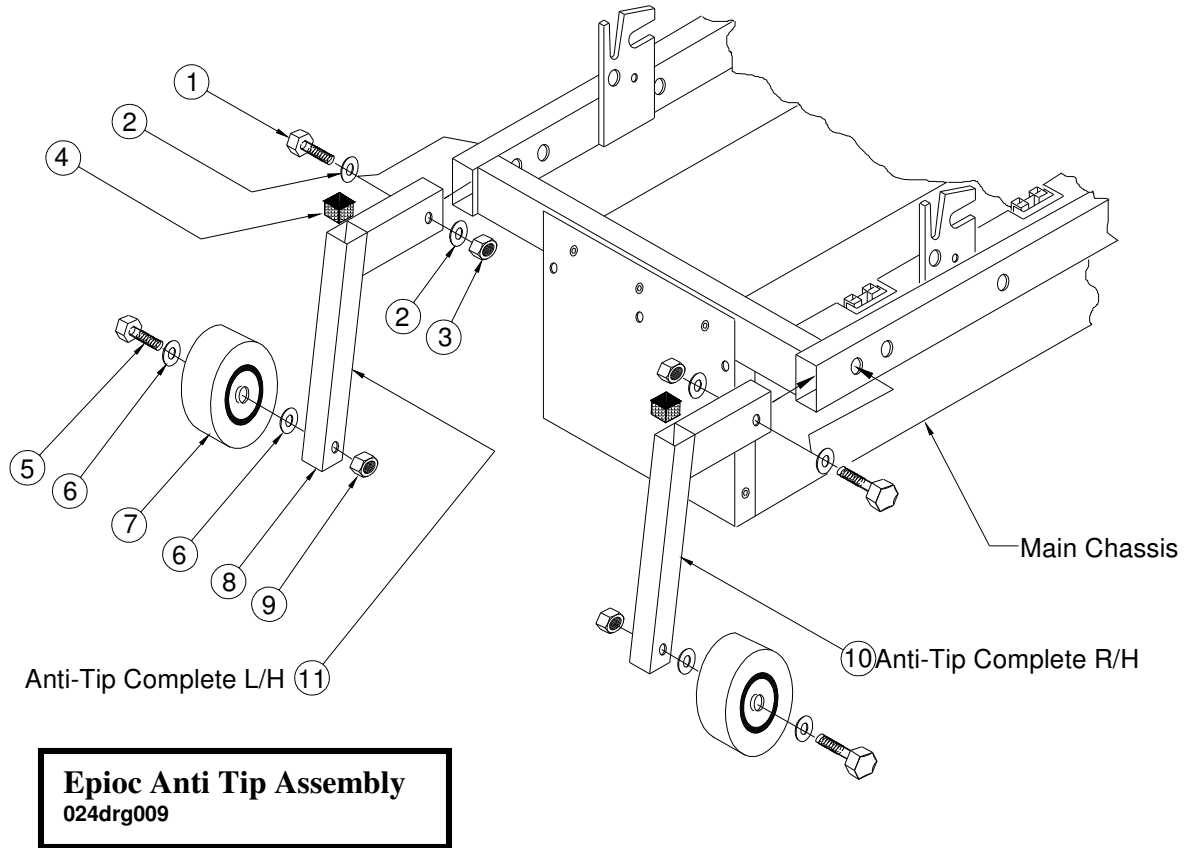
11.8 Epioc Main Chassis Assembly



List of Parts for Epioc Main Chassis Assembly

Item No.	Part No.	Description
1	09421	Chassis Assembly Riveted
2	02705	M6 Nyloc Nut 2 off
3	02379	Washer I/D 1/4" 2 off
4	09918	Bush – Seat Latch 2 off
5	09558	Spring – Latch Return – L/H
6	09554	Seat Latch 2 off
7	09539	M6 x 25mm Bolt 2 off
8	09468	Harness Retaining Bracket
9	09980	Harness Assembly
10	09576	Fir Tree Fix 2 off
11	09467	Chassis Cover – Front Section
12	02688	3/16" Dia. Star lock – Capped
13	03516	3/16" Dia. Star lock – Uncapped – 2 off
14	07331	Latch Lever
15	08698	Washer – Nylon O/D 12mm, I/D 6mm
16	07525	Compression Spring
17	07887	Latch Pin
18	06286	30A Thermal Circuit Breaker
19	10295	Battery Harness
20	09557	Spring - Latch Return – R/H
21	09466	Chassis Cover Main Section

11.9 Epioc Anti Tips

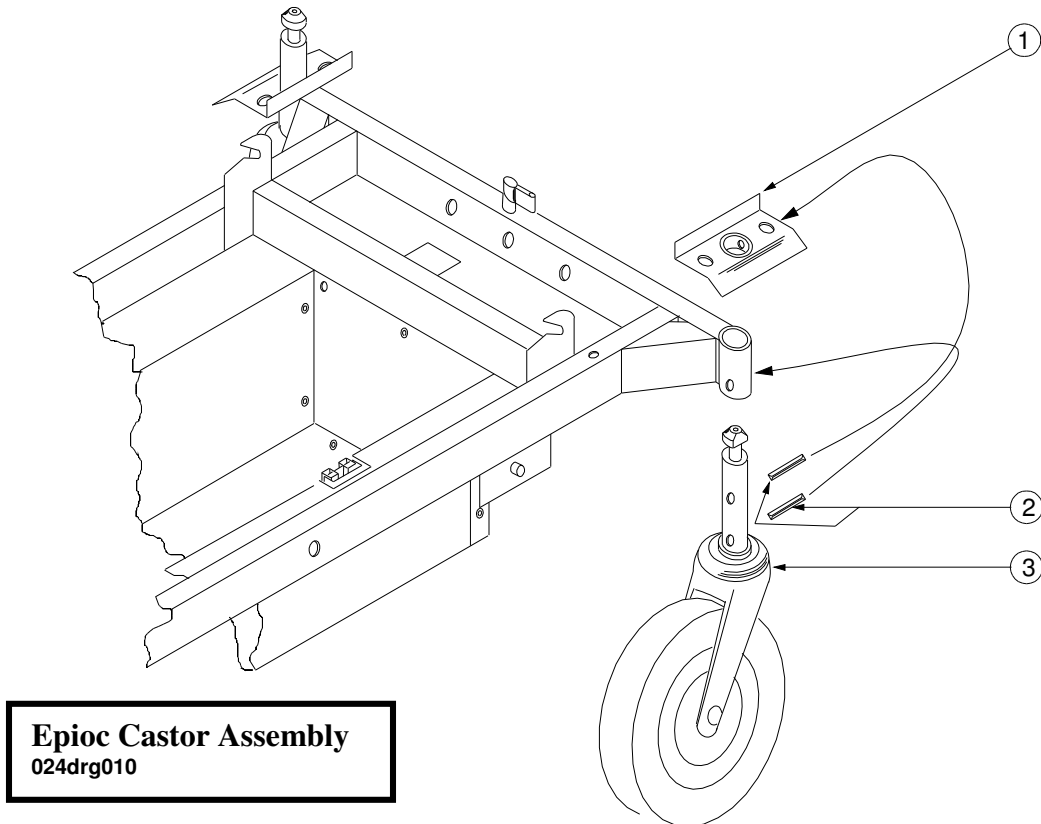


Epioc Anti Tip Assembly
024drg009

List of Parts for Epioc Anti-Tip Assembly

Item No.	Part No.	Description
1	02839	M6 x 35mm Bolt – 2 off
2	02379	Washer I/D 1/4" O/D 5/8" x 19 SWG – 4 off
3	02813	M6 Nyloc Nut 2 off
4	03295	3/4" x 3/4" Square Black Plastic Insert – 2 off
5	02713	M8 x 50mm Bolt – 2 off
6	02706	Washer I/D 8mm, O/D 18mm x 19 SWG 4 off
7	06646	Jockey Wheel – 40mm Dia. – 2 off
8	10418	Anti-Tip Mounting Assembly – 2 off
9	02886	M8 Nyloc Nut – 2 off
10	10409	Anti-Tip Assembly L/H
11	10408	Anti-Tip Assembly R/H

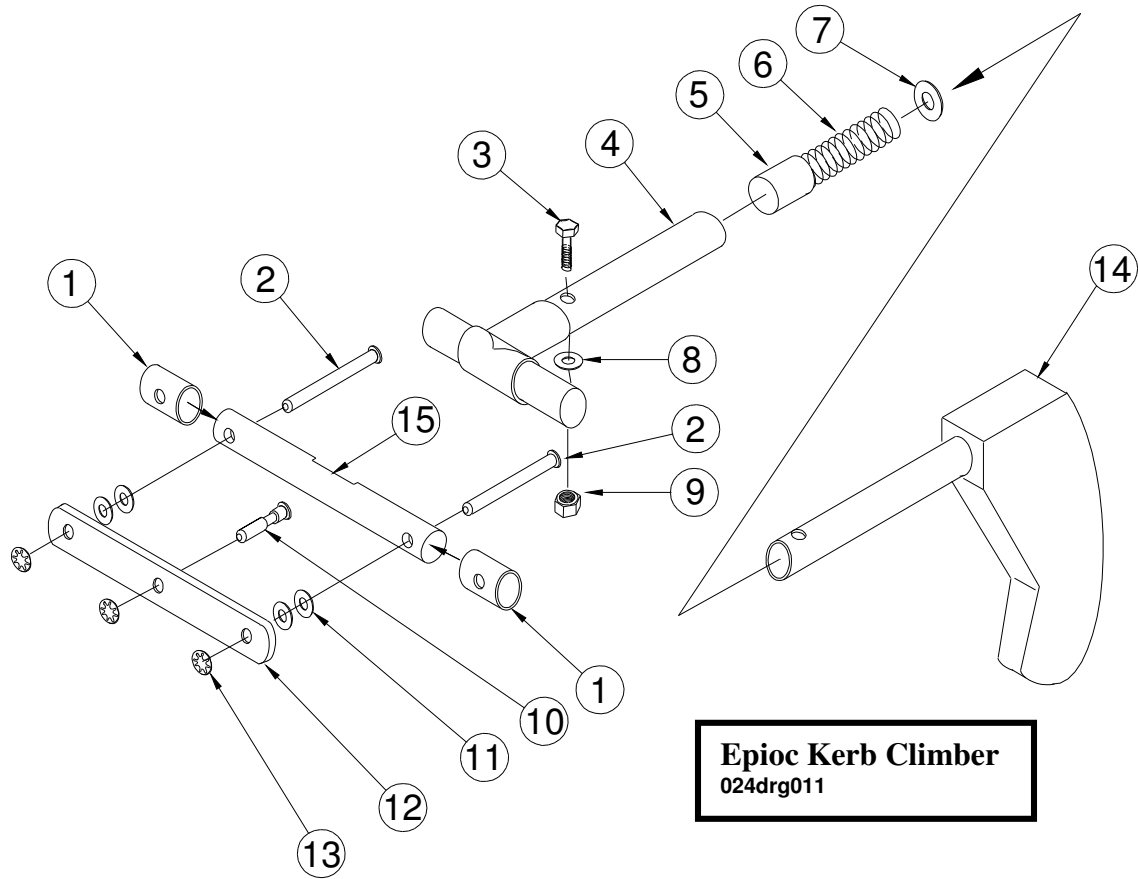
11.11 Epioc Castor



List of Parts for Epioc Castor Assembly

Item No.	Part No.	Description
1	07208	Latch Plate Mounting Assembly – 2 off
2	07177	Roll Pin, 1/4" Dia. x 1" Long – 4 off
3	09966	Castor Assembly 2 off

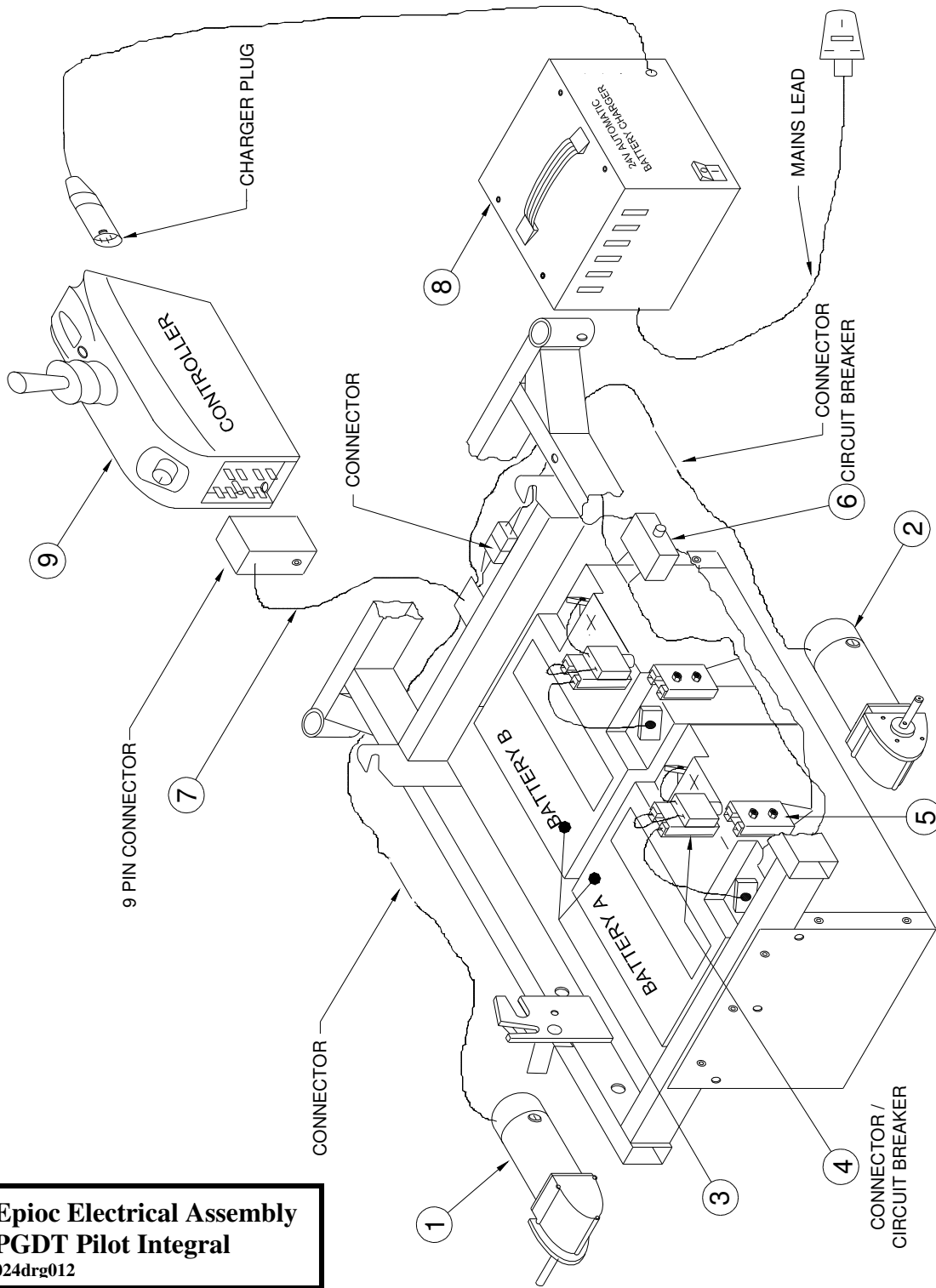
11.12 Epioc Kerb Climber



List of Parts for Epioc Kerb Climber Assembly

Item No.	Part No.	Description
1	06701	Location Tube – 2 off
2	06702	Location Pin – 2 off
3	02839	M6 x 35mm Bolt
4	09068	Tubular Assembly
5	09071	Plunger
6	09072	Spring
7	02449	7/16" Plain Washer
8	01057	6mm Plain Washer
9	02705	M6 Nyloc Nut
10	06703	Locking Pin
11	02569	5/16" Plain Washer 4 off
12	06704	Location Plate
13	02730	8mm Dia. Star lock - Uncapped 3 off
14	09764	Foot Assembly
15	06700	Cam Spindle

11.13 Epioc Electrical Assembly



Epioc Electrical Assembly
PGDT Pilot Integral
024drg012

List of Parts for Epioc Electrical Assembly – P & G Integral

Item No.	Part No.	Description
1	09360	Fracmo Motor 110 RPM L/H
2	09359	Fracmo Motor 110 RPM R/H
3	09391	Battery - Sonnenschein A500 Dry fit Cyclic
4	07223	Battery Connecting Lead Assembly
5	10295	Battery Harness PGDT
6	06286	30A Thermal Circuit Breaker
7	09980	Harness Assembly with Beau Plug
8	09389	Battery Charger
9	09192	PGDT Pilot Integral 40a Controller