

**SECTION 8            SPECIFICATION BY MODEL**

Vixen Cub

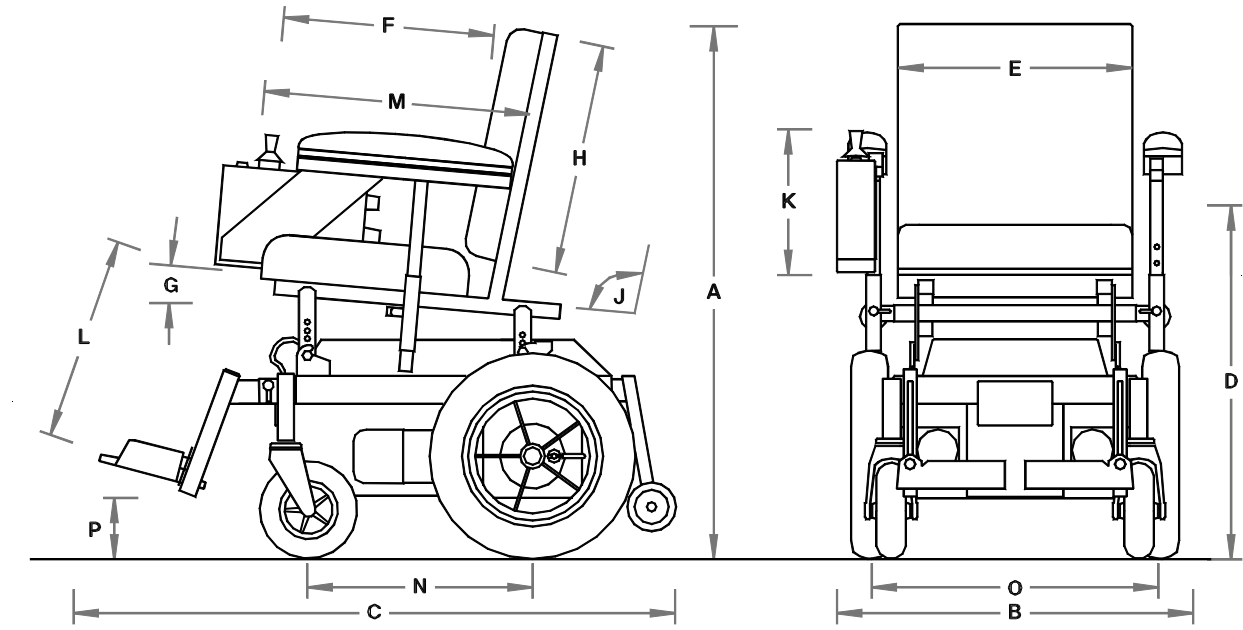
Vixen EPIC

Vixen EPIOC

Vixen Heavy Duty

**VIXEN CUB SPECIFICATIONS AND TECHNICAL INFORMATION**

(Based on the requirements of BS-ISO 7176-15)

**GENERAL DIMENSIONS – PERFORMANCE**

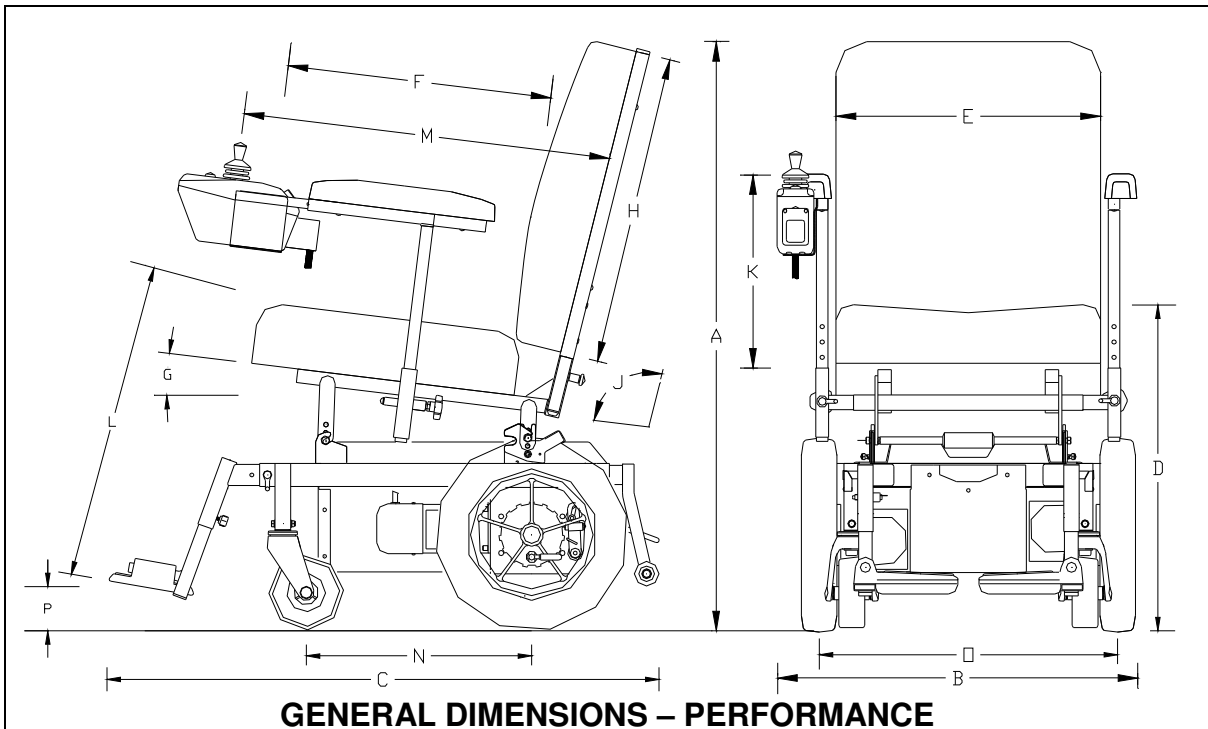
Standard Reference		Illustration	Min	Max
BS ISO 7176-15	Maximum User weight	-		80kg
BS 6935-5	Overall length with footrests	C	991mm	1015mm
BS6935-5	Overall width	B		550mm
BS6935-5	Overall Height	A	945mm	1005mm
ISO 7176-7	Seat height (front edge)	D	419mm	495mm
ISO 7176-7	Seat width	E	305mm	380mm
ISO 7176-7	Seat depth	F	305mm	381mm
ISO 7176-7	Seat Angle	G		9°
ISO 7176	Leg to seat surface angle			
ISO 7176-7	Backrest height	H		355mm
ISO 7176-7	Backrest angle	J		97°
ISO 7176-7	Armrest height (armrest to seat)	K	75mm	225mm
ISO 7176-7	Footrest to seat	L	305mm	415mm

**GENERAL DIMENSIONS – PERFORMANCE (continued)**

<b>Standard reference</b>		<b>Illustration</b>	<b>Min</b>	<b>Max</b>
ISO 7176-7	Front location of armrest structure	M	440mm	550mm
	Wheelbase	N		380mm
	Wheeltrack	O		438mm
ISO 7176-7	Backrest width	E	305mm	380mm
ISO 7176-7	Footrest clearance	P		66mm
BS 6935-5	Total Mass	-		67kg
	Mass of heaviest part (chassis less batteries)	-		28kg
BS 6935-5	Minimum turning radius	-	736mm	
BS 7176-1	Static stability downhill	-		12°
BS 7176-1	Static stability uphill	-		12°

**VIXEN EPIC SPECIFICATIONS AND TECHNICAL INFORMATION**

(Based on the requirements of BS-ISO 7176-15)



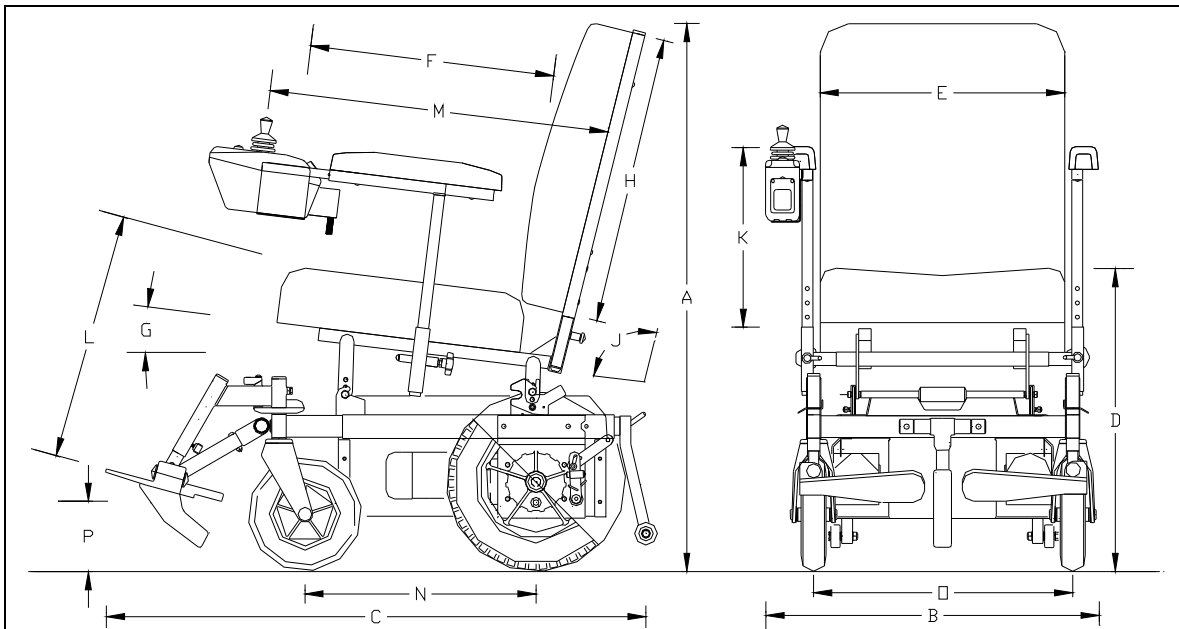
Standard Reference		Illustration	Min	Max
BS ISO 7176-15	Maximum User weight	-		100kg
BS 6935-5	Overall length with footrests	C	991mm	1015mm
BS6935-5	Overall width	B	470mm	550mm
BS6935-5	Overall Height	A	914mm	965mm
ISO 7176-7	Seat height (front edge)	D	508mm	533mm
ISO 7176-7	Seat width	E	380mm	480mm
ISO 7176-7	Seat depth	F	406mm	432mm
ISO 7176-7	Seat Angle	G	0°	9°
ISO 7176	Leg to seat surface angle			
ISO 7176-7	Backrest height	H	508mm	584mm
ISO 7176-7	Backrest angle	J		97°
ISO 7176-7	Armrest height (armrest to seat)	K	0mm	229mm
ISO 7176-7	Footrest to seat	L	356mm	457mm

**GENERAL DIMENSIONS – PERFORMANCE (continued)**

<b>Standard reference</b>		<b>Illustration</b>	<b>Min</b>	<b>Max</b>
ISO 7176-7	Front location of armrest structure	M	508mm	686mm
	Wheelbase	N	305mm	345mm
	Wheeltrack	O		438mm
ISO 7176-7	Backrest width	E	380mm	480mm
ISO 7176-7	Footrest clearance	P		66mm
BS 6935-5	Total Mass	-		71kg
	Mass of heaviest part (chassis less batteries)	-		28kg
BS 6935-5	Minimum turning radius	-	736mm	
BS 7176-1	Static stability downhill	-		12°
BS 7176-1	Static stability uphill	-		12°

**VIXEN EPIOC SPECIFICATIONS AND TECHNICAL INFORMATION**

(Based on the requirements of BS-ISO 7176-15)

**GENERAL DIMENSIONS – PERFORMANCE**

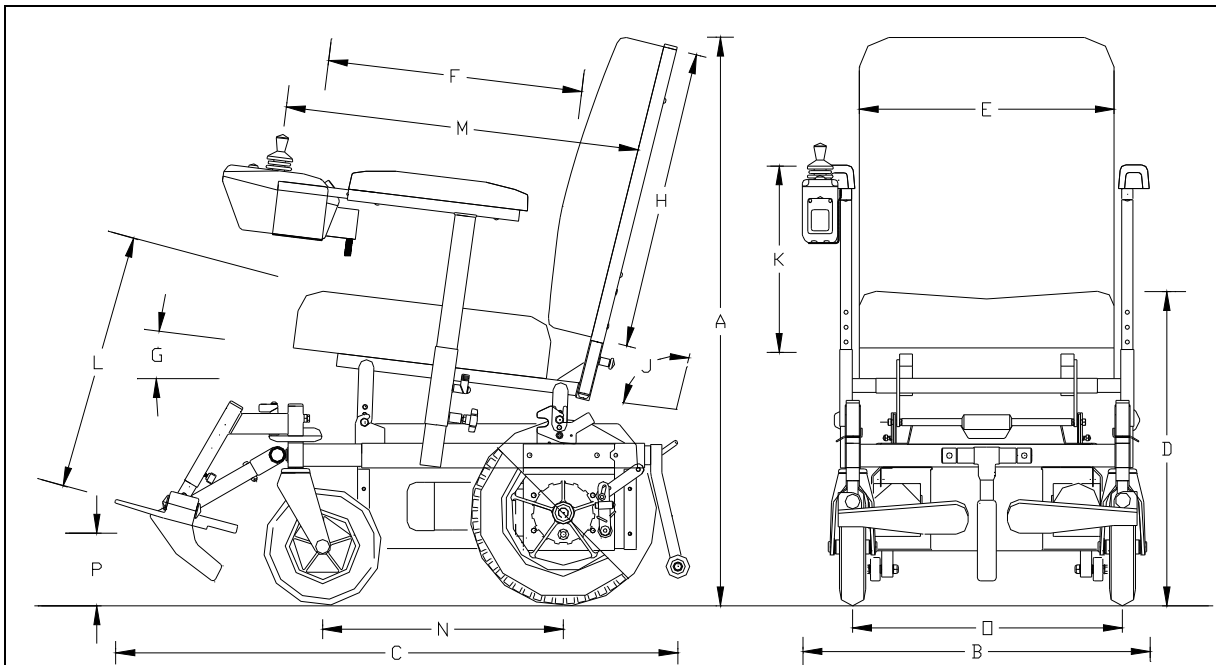
Standard Reference		Illustration	Min	Max
BS ISO 7176-15	Maximum User weight	-		115kg
BS 6935-5	Overall length with footrests	C	991mm	1015mm
BS6935-5	Overall width	B	533mm	610mm
BS6935-5	Overall Height	A	914mm	965mm
ISO 7176-7	Seat height (front edge)	D	508mm	533mm
ISO 7176-7	Seat width	E	380mm	480mm
ISO 7176-7	Seat depth	F	406mm	432mm
ISO 7176-7	Seat Angle	G	0°	9°
ISO 7176	Leg to seat surface angle			
ISO 7176-7	Backrest height	H	508mm	584mm
ISO 7176-7	Backrest angle	J		97°
ISO 7176-7	Armrest height (armrest to seat)	K	0mm	229mm
ISO 7176-7	Footrest to seat	L	394mm	495mm

**GENERAL DIMENSIONS – PERFORMANCE (continued)**

<b>Standard reference</b>		<b>Illustration</b>	<b>Min</b>	<b>Max</b>
ISO 7176-7	Front location of armrest structure	M	508mm	686mm
	Wheelbase	N		420mm
	Wheeltrack	O		464mm
ISO 7176-7	Backrest width	E	380mm	480mm
ISO 7176-7	Footrest clearance	P		66mm
BS 6935-5	Total Mass	-		75kg
	Mass of heaviest part (chassis less batteries)	-		30kg
BS 6935-5	Minimum turning radius	-	762mm	
BS 7176-1	Static stability downhill	-		12°
BS 7176-1	Static stability uphill	-		12°

**VIXEN HEAVY DUTY SPECIFICATIONS AND TECHNICAL INFORMATION**

(Based on the requirements of BS-ISO 7176-15)



**GENERAL DIMENSIONS – PERFORMANCE**

Standard Reference		Illustration	Min	Max
ISO 7176-15	Maximum User weight	-		160kg
BS 6935-5	Overall length with footrests	C	991mm	1015mm
BS6935-5	Overall width	B	533mm	712mm
BS6935-5	Overall Height	A	914mm	965mm
ISO 7176-7	Seat height (front edge)	D	508mm	533mm
ISO 7176-7	Seat width	E	508mm	610mm
ISO 7176-7	Seat depth	F	406mm	432mm
ISO 7176-7	Seat Angle	G		9°
ISO 7176	Leg to seat surface angle			
ISO 7176-7	Backrest height	H	508mm	584mm
ISO 7176-7	Backrest angle	J		97°
ISO 7176-7	Armrest height (armrest to seat)	K	0mm	229mm
ISO 7176-7	Footrest to seat	L	394mm	495mm

**GENERAL DIMENSIONS – PERFORMANCE (continued)**

<b>Standard reference</b>		<b>Illustration</b>	<b>Min</b>	<b>Max</b>
ISO 7176-7	Front location of armrest structure	M	508mm	686mm
	Wheelbase	N		420mm
	Wheeltrack	O		464mm
ISO 7176-7	Backrest width	E	508mm	610mm
ISO 7176-7	Footrest clearance	P		66mm
BS 6935-5	Total Mass	-		76kg
	Mass of heaviest part (chassis less batteries)	-		30kg
BS 6935-5	Minimum turning radius	-	762mm	
BS 7176-1	Static stability downhill	-		12°
BS 7176-1	Static stability uphill	-		12°