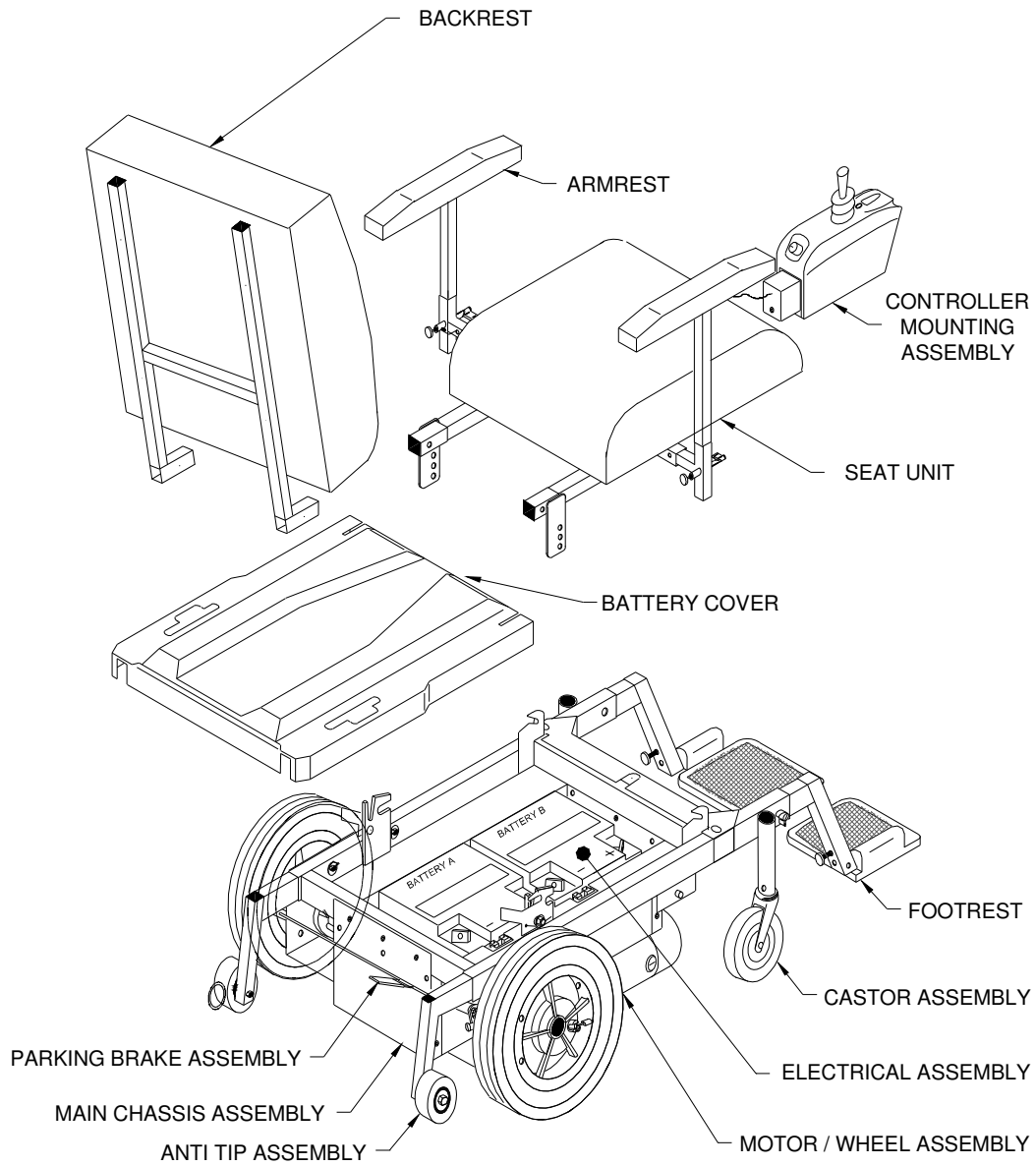


**SECTION 9 VIXEN CUB PARTS LISTS**

- 9.1 Cub General Assembly
- 9.2 Cub Backrest
- 9.3 Cub Footrest
- 9.4 Cub Armrest
- 9.5 Cub Controller Mounting
- 9.6 Cub Seat Unit
- 9.7 Cub Motor and Drive Wheel Assembly
- 9.8 Cub Parking Brake
- 9.9 Cub Main Chassis Assembly
- 9.10 Cub Anti Tips
- 9.11 Cub Castor Assembly
- 9.12 Cub Electrical Assembly

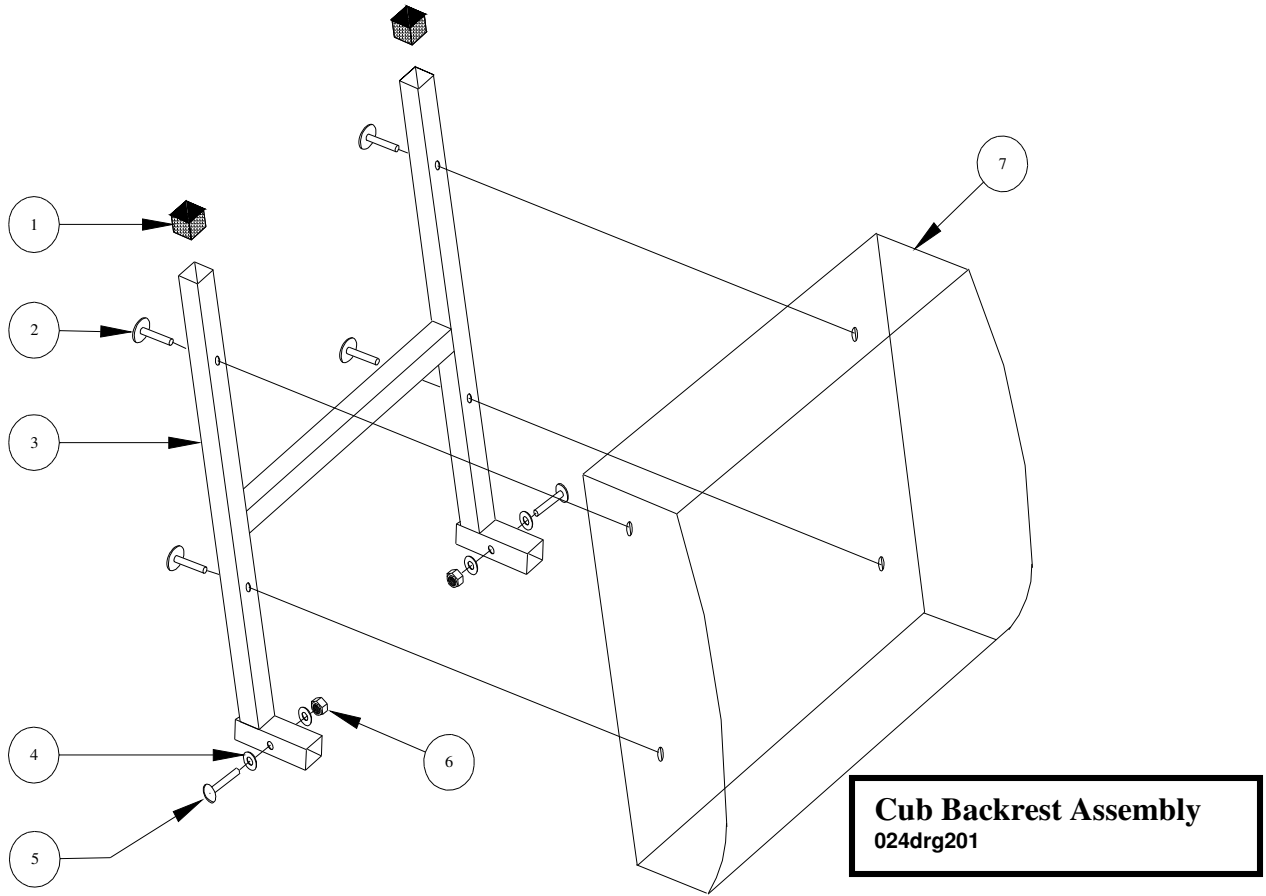
<b>DRAWING</b>	<b>TITLE</b>
023drg213	Vixen Cub General Assembly
024drg201	Cub Backrest Assembly
024drg202	Cub Footrest Assembly
024drg203	Cub Armrest Assembly
024drg204	Cub Controller Mounting
024drg205	Cub Seat Unit
024drg206	Cub Motor Assembly
024drg207	Cub Parking Assembly
024drg208	Cub Main Chassis Assembly
024drg209	Cub Anti Tip Assembly
024drg210	Cub Castor Assembly
024drg212	Cub Electrical Assembly PGDT Pilot Integral

9.1 Cub General Assembly



**Vixen Cub General Assembly**  
024drg213

**9.2 Cub Backrest**



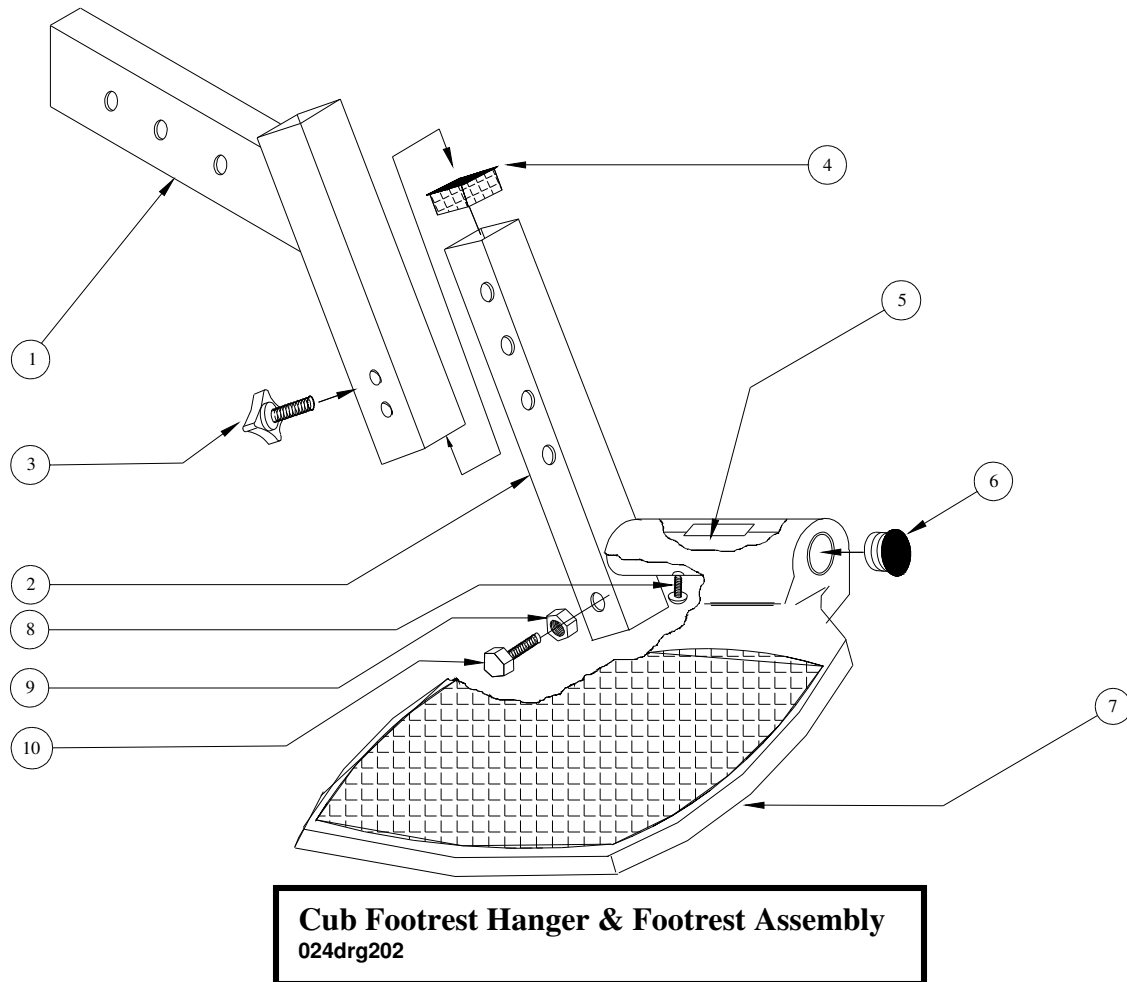
**List of Parts for Cub Backrest Assembly**

Item No.	Part No.	Description
1	03677	End Cap 7/8" x 7/8" Square
2	03003	M6 Roofing Bolt - 4-Off
3	06130	Backrest Assembly
4	01251	Washer - 4-Off
5	04063	M5 x 30mm Pan Head Screw - 2-Off
6	02859	M5 Nyloc Nut - 2-Off

All standard Cub back cushions are 359mm (14") high.

7	09635	Back Cushion 305mm (12") wide
	09636	Back Cushion 330mm (13") wide
	09637	Back Cushion 355mm (14") wide
	09638	Back Cushion 380mm (15") wide

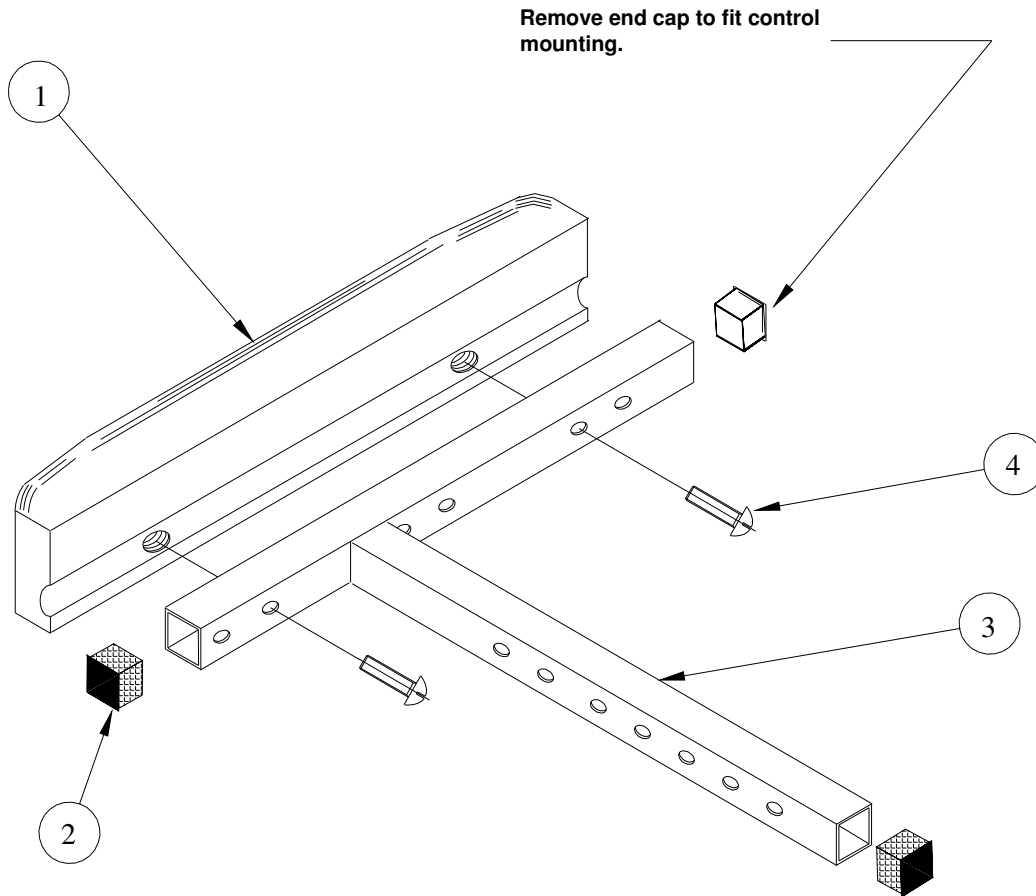
### 9.3 Cub Footrest



#### List of Parts for Cub Footrest Assembly

Item No.	Part No.	Description
-	10434	Footrest Hanger & Footrest Assembly R/H
-	10435	Footrest Hanger & Footrest Assembly L/H
1	10416	Footrest Hanger – Square Format
2	10432	Footplate & Stem Assembly R/H Square Format
2	10433	Footplate & Stem Assembly L/H Square Format
3	09784	M6 Hand wheel
4	03295	End Cap
5	02666	Leaf Spring
6	02652	End Cap
7	02665	Footplate – Size 6
8	02667	Self Tap Retaining Screw
9	02669	Nut M6
10	02269	Set Screw M6

**9.4 Cub Armrest**

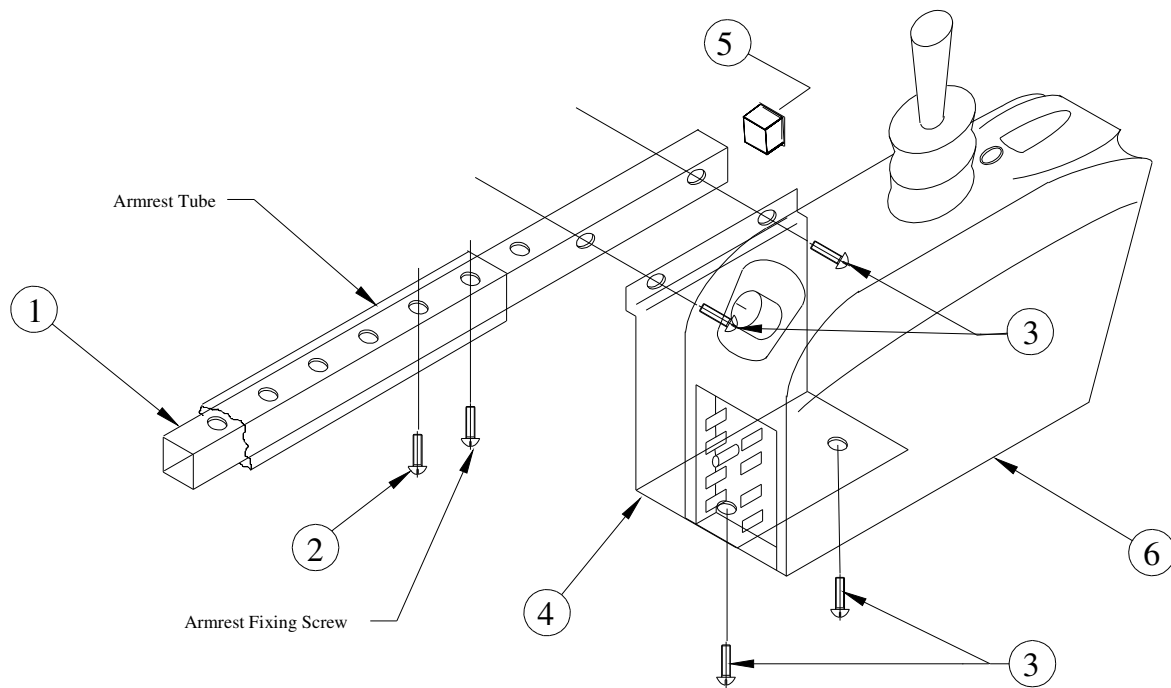


**Cub Armrest Assembly**  
024drg203

**List of Parts for Cub Armrest Assembly.**

Item No.	Part No.	Description
	06208	Armrest Assembly L/H
	06209	Armrest Assembly R/H
1	09349	Armpad Black Cellular
2	03295	3/4" sq Black Plastic End Cap – 3 off
3	06210	Armrest Mounting Assembly
4	09446	No.12 x 40mm Pozi Self Tap Screw – 2 off

## 9.5 Cub Control Mounting

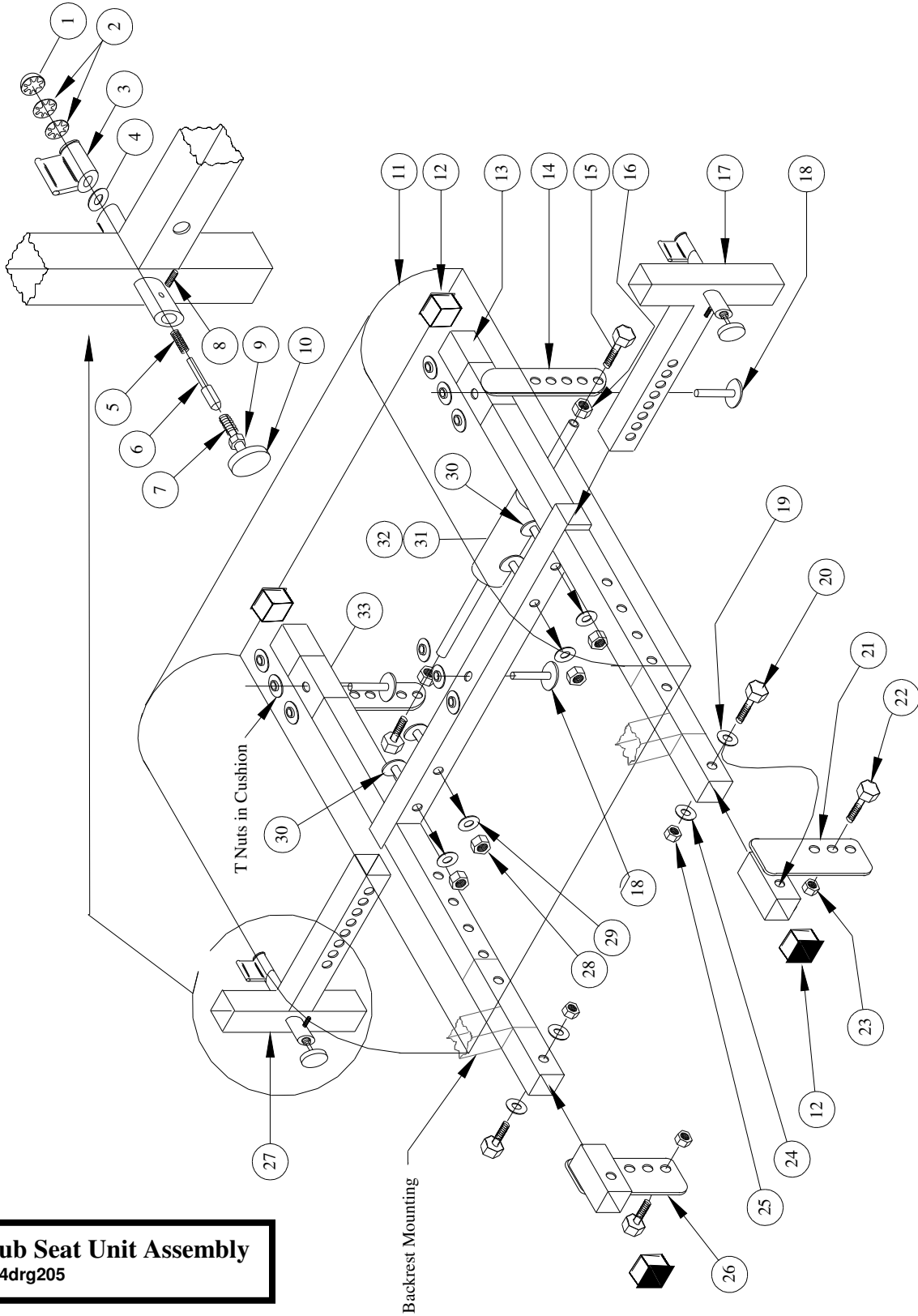


### Cub PGDT Integral Control Mounting 024drg004

#### List of Parts for PGDT Integral Control Mounting.

Item No.	Part No.	Description.
1	09177	Controller Mounting Tube
2	03012	M6 x 10mm Locking Screw
3	08337	M5 x 5mm Pozi Pan Head – 4 off
4	09180	Controller Mounting Plate
5	09182	15mm sq Black Plastic Insert
6	09192	PGDT Pilot Integral 40a Controller

### 9.6 Cub Seat



**Cub Seat Unit Assembly**  
024drg205

## List of Parts for Cub Seat Unit Assembly

Item No.	Part No.	Description
-	10557	Seat Frame Assembly Std Height – Less Armrests & Uph.
-	10558	Seat Frame Assembly Ext Height – Less Armrests & Uph.
1	02688	3/16" Dia. Capped Starlock Washer – 2-Off
2	03516	3/16" Dia. Uncapped Starlock Washer – 4-Off
3	07331	Latch Lever – 2-Off
4	08698	Washer – Nylon O/D 12mm, I/D 6mm – 2-Off
5	02759	Plunger Spring – 2-Off
6	07523	Latch Pin – 2-Off
7	08206	Clamping Pin – 2-Off
8	03751	Grub Screw M6 x 6mm – 2-Off
9	02702	M6 Nut – 2-Off
10	10054	M6 Hand wheel – 2-Off

**Vixen Cub seat upholstery is available in 2 standard lengths, 279mm (11") and 359mm (14"). Both have 3 sets of mounting holes to allow forward or backward movement by up to 25mm (1") to suit the client. By choosing the right length a range of sizes between 254mm (10") and 381mm (15") can be achieved.**

11	09639	305mm (12") wide x 279mm (11") long Cub Seat Cushion
11	09640	330mm (13") wide x 279mm (11") long Cub Seat Cushion
11	09641	359mm (14") wide x 279mm (11") long Cub Seat Cushion
11	09642	381mm (15") wide x 279mm (11") long Cub Seat Cushion
11	09643	305mm (12") wide x 359mm (14") long Cub Seat Cushion
11	09644	330mm (13") wide x 359mm (14") long Cub Seat Cushion
11	09645	359mm (14") wide x 359mm (14") long Cub Seat Cushion
11	09646	381mm (15") wide x 359mm (14") long Cub Seat Cushion
12	03295	3/4" x 3/4" Black Plastic Insert – 4-Off
13	10561	Seat Base Assembly
14	08163	Front Seat Mtg Assembly R/H Short
15	03382	M8 x 35mm Bolt – 2-Off
16	02166	M8 Nut – 2-Off
-	10560	Adj Armrest Mtg Socket Assembly R/H
17	10564	Armrest Mtg Socket Assembly R/H
18	03003	M6 x 40mm Roofing Bolt – 3-Off
19	02379	Washer – 2-Off
20	02844	M6 x 30mm Bolt – 2-Off
21	08169	Rear Seat Mtg Assembly R/H Short
22	02801	M8 x 30mm Bolt – 2-Off
23	02803	M8 Nyloc Nut – 2-Off
24	02379	Washer – 2-Off
25	02705	M6 Nyloc Nut

**List of Parts for Cub Seat Unit Assembly Continued**

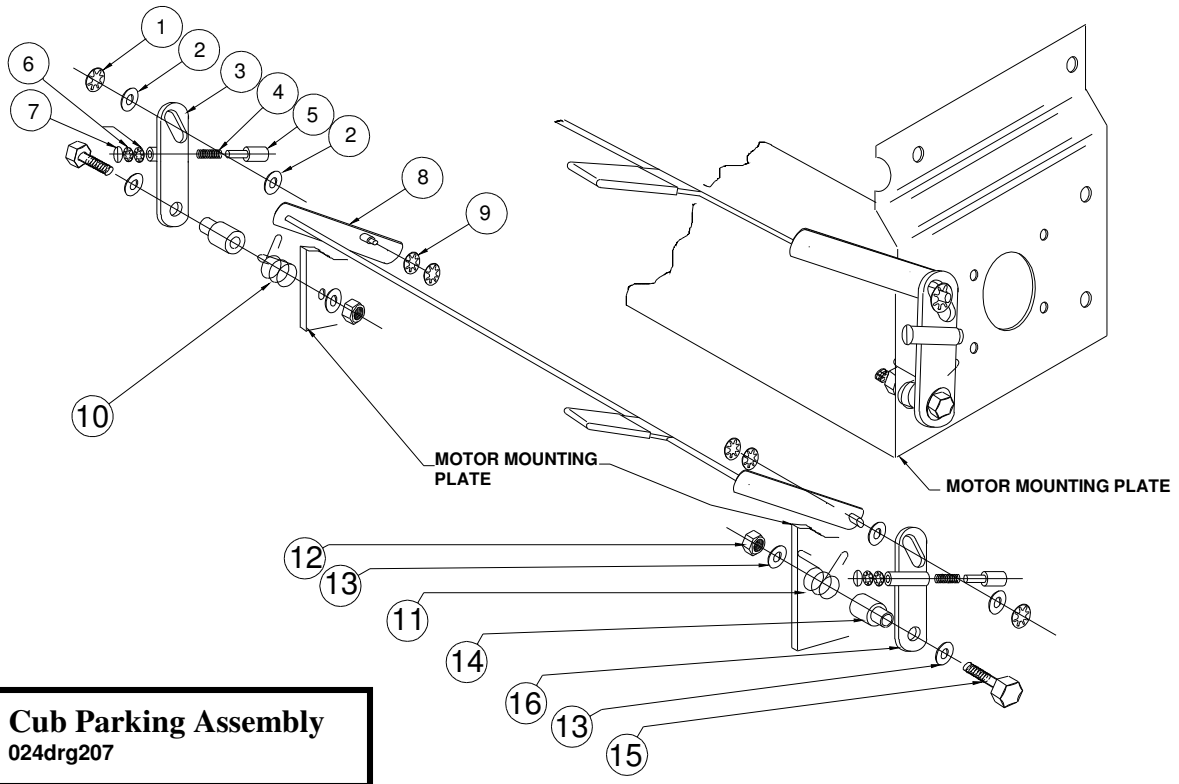
26	08168	Rear Seat Mounting Assembly R/H Short
-	10559	Adj Armrest Mtg Socket Assembly L/H
27	10563	Armrest Mtg Socket Assembly L/H
28	02705	M6 Nyloc Nut – 4-Off
29	02379	Washer – 4-Off
30	03197	M6 x 30mm Roofing Bolt – 4-Off
31	09561	Seat Guide Roller Tube Assembly
32	09563	Seat Guide Tube
33	08162	Front Seat Mtg Assembly L/H Short



**List of Parts for Cub Motor Assembly**

<b>Item No.</b>	<b>Part No.</b>	<b>Description</b>
1	03570	Dust Cap
2	03569	Circlip
3	03568	Thrust Washers
4	08550	Drive Wheel Assembly. Light Duty Inflatable Tyre
4	08552	Drive Wheel Assembly. Infill Puncture Proof Tyre
5	03731	Clutch Disc
6	03751	Grub Screws
7	09297	Motor Mounting Plate
8	03588	Screw 2BA x 1/2" Countersunk
9	01251	Washer 1/2"
10	04437	2BA Nyloc Nut
11	09430	Motor Fracmo 24v / 12v Brake 68rpm L/H
12	09429	Motor Fracmo 24v / 12v Brake 68rpm R/H
13	03382	M8 Bolt
14	09974	D Washer
15	02803	M8 Nyloc Nut
16	04422	1 1/4" Penny Washer
17	02379	Washer 5/8"
18	03586	Set Screw
19	03570	Dowel Pin
20	02810	M8 Washer

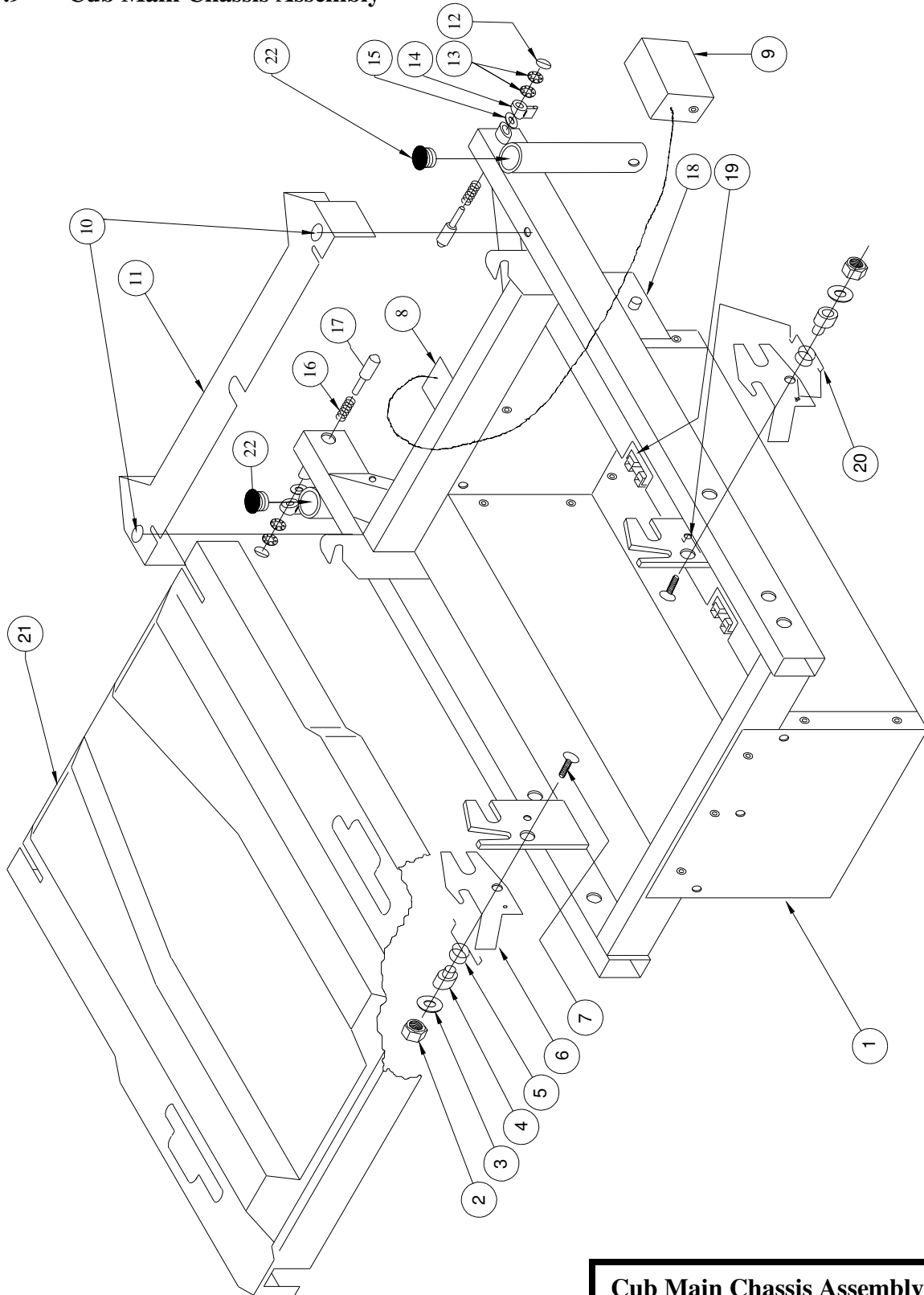
**9.8 Cub Parking Brake**



**List of Parts for Cub Parking Brake Assembly**

Item No.	Part No.	Description
1	02705	M6 Nyloc Nut – 2-Off
2	02964	6mm x 12mm x 0.8mm Washer - 4 off
3	09277	Brake Lever Assembly L/H
4	04484	Compression Spring 2 off
5	09156	Plunger Pin 2 off
6	03516	3/16" Starlock – Uncapped 4 off
7	02688	3/16" Starlock – Capped 4 off
8	09273	Brake Pedal Brazed Assembly
9	04474	1/4" Starlock – Uncapped 4 off
10	09358	Brake Return Spring L/H
11	09357	Brake Return Spring R/H
12	02813	M6 Nyloc Nut 2 off
13	02807	1/4" x 5/8" x 0.040" Washer 4 off
14	09281	Brake Lever Bush
15	02844	M6 x 30mm Bolt 2 off
16	09276	Brake Lever Assembly R/H

### 9.9 Cub Main Chassis Assembly

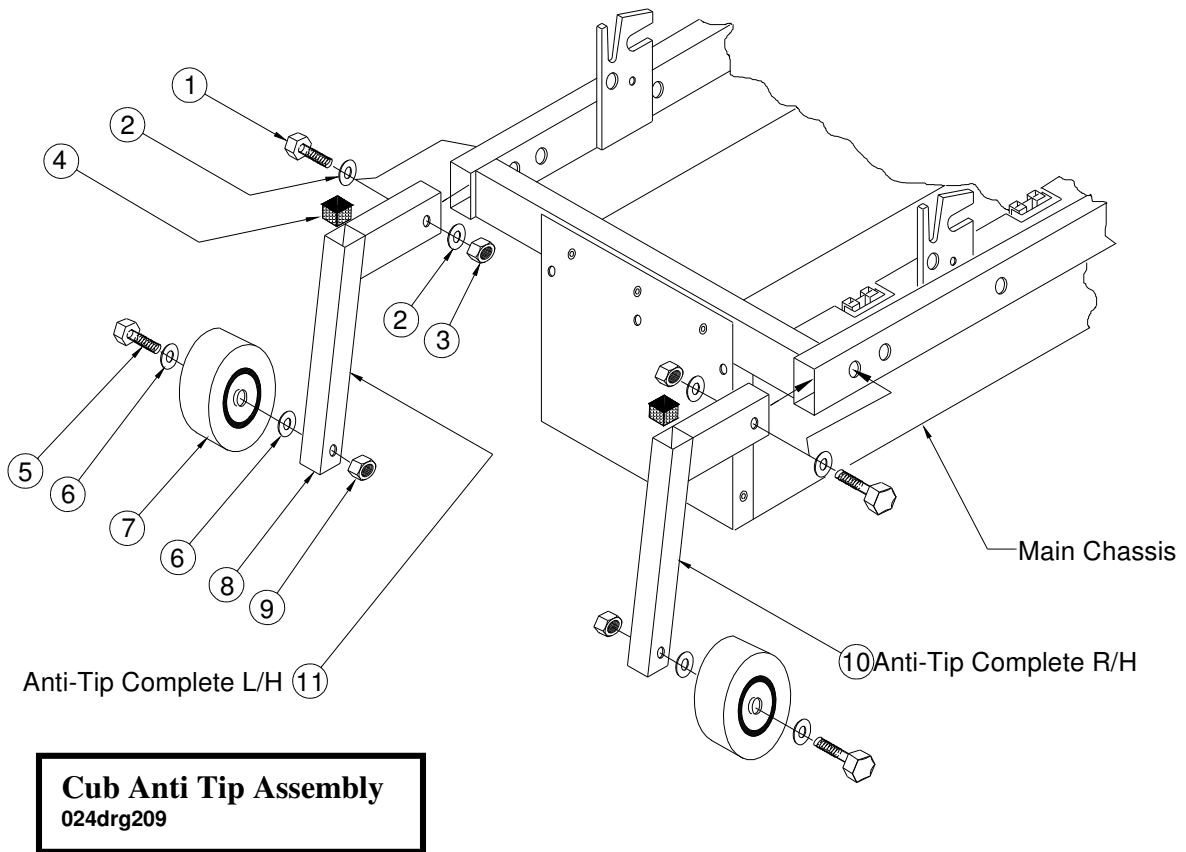


**Cub Main Chassis Assembly**  
024drg208

**List of Parts for Cub Main Chassis Assembly**

<b>Item No.</b>	<b>Part No.</b>	<b>Description</b>
1	09451	Chassis Assembly Riveted
2	02705	M6 Nyloc Nut 2 off
3	02379	Washer I/D 1/4", O/D 5/8" x 19 SWG 2 off
4	09918	Bush – Seat Latch 2 off
5	09558	Spring – Latch Return – L/H
6	09554	Seat Latch 2 off
7	09539	M6 x 25mm Bolt 2 off
8	09468	Harness Retaining Bracket
9	09980	Harness Assembly
10	09576	Fir Tree Fix 2 off
11	09467	Chassis Cover – Front Section
12	02688	3/16" Dia. Starlock – Capped
13	03516	3/16" Dia. Starlock – Uncapped – 2 off
14	07331	Latch Lever
15	08698	Washer – Nylon O/D 12mm, I/D 6mm
16	07525	Compression Spring
17	07523	Latch Pin
18	06286	30A Thermal Circuit Breaker
19	10295	Battery Harness
20	09557	Spring - Latch Return – R/H
21	09466	Chassis Cover Main Section

**9.10 Cub Anti Tip**

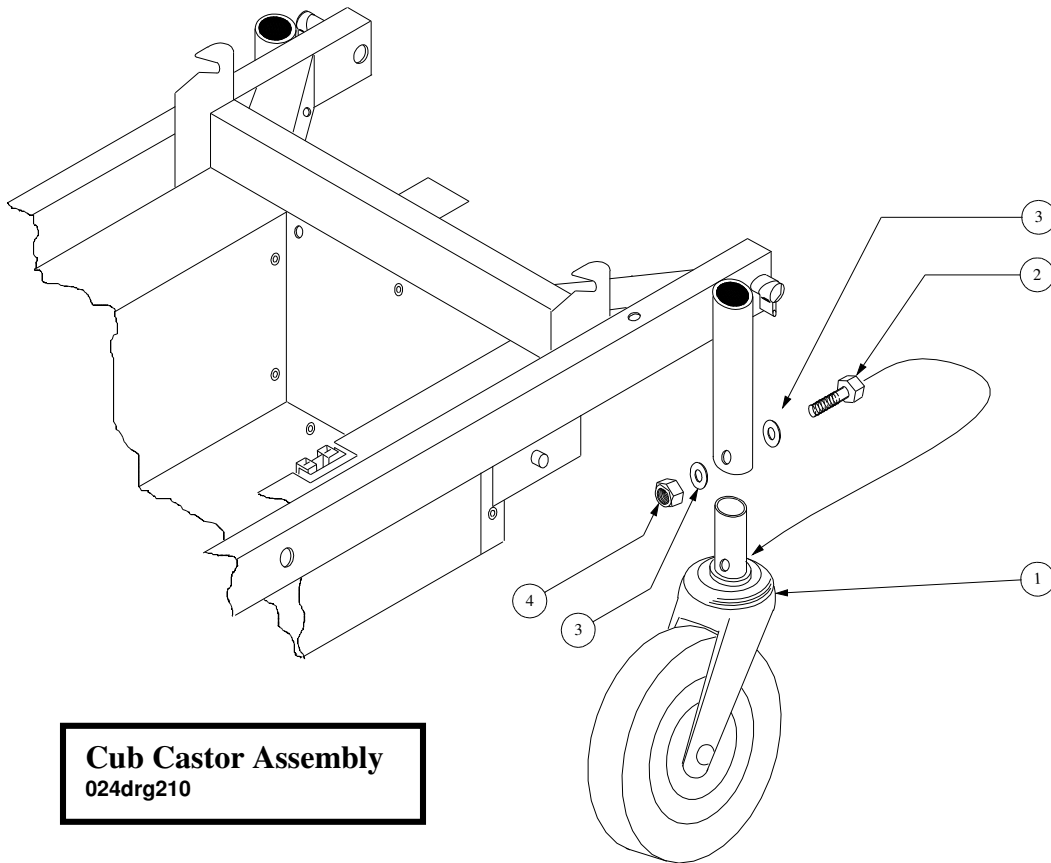


**Cub Anti Tip Assembly**  
024drg209

**List of Parts for Cub Anti-Tip Assembly**

Item No.	Part No.	Description
1	02839	M6 x 35mm Bolt – 2 off
2	02379	Washer I/D 1/4" O/D 5/8" x 19 SWG – 4 off
3	02813	M6 Nyloc Nut 2 off
4	03295	3/4" x 3/4" Square Black Plastic Insert – 2 off
5	02713	M8 x 50mm Bolt – 2 off
6	02706	Washer I/D 8mm, O/D 18mm x 19 SWG 4 off
7	06646	Jockey Wheel – 40mm Dia. – 2 off
8	10418	Anti-Tip Mounting Assembly – 2 off
9	02886	M8 Nyloc Nut – 2 off
10	10409	Anti-Tip Assembly L/H
11	10408	Anti-Tip Assembly R/H

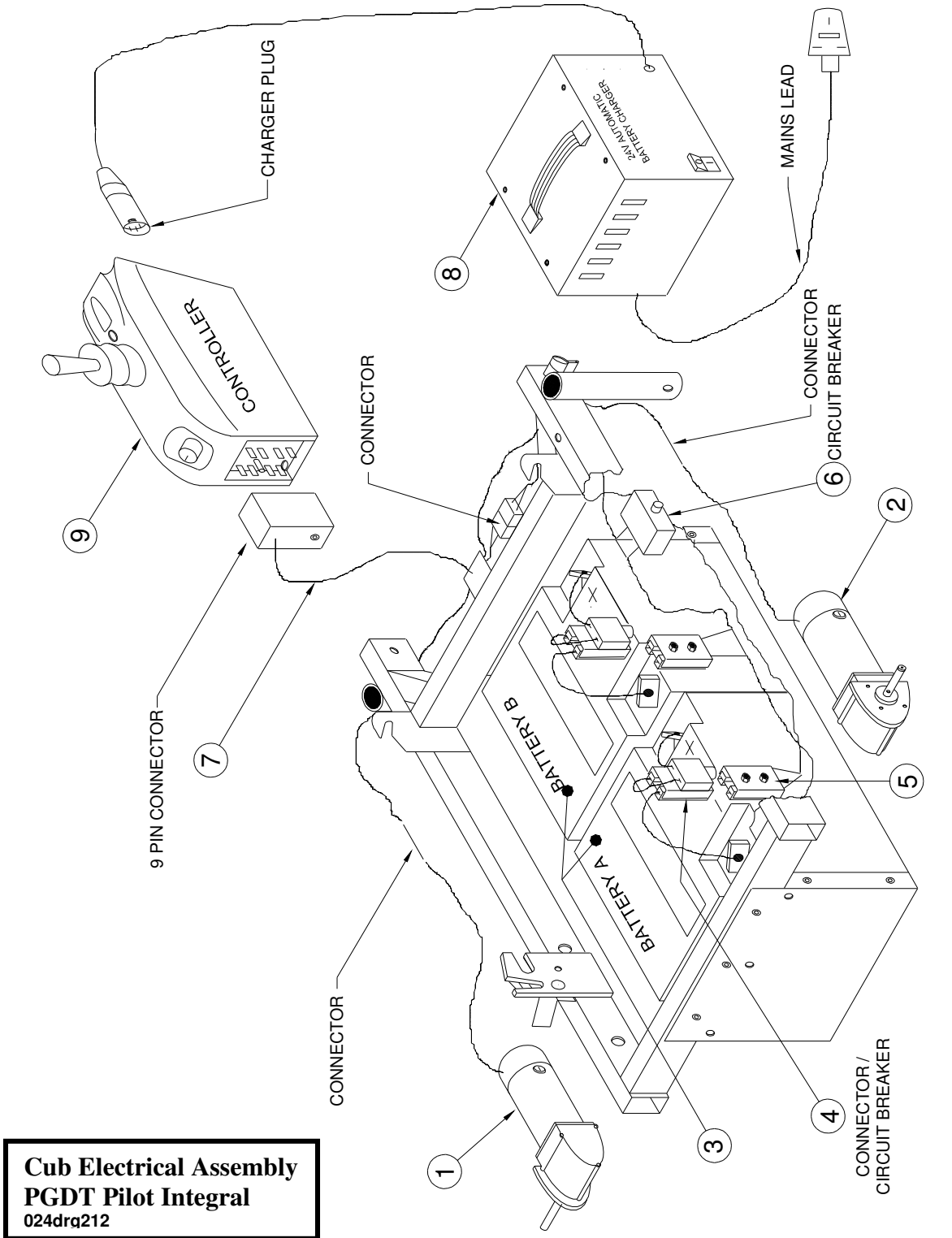
## 9.11 Cub Castor



### List of Parts for Cub Castor Assembly

Item No.	Part No.	Description
1	03771	Castor Assembly 2 off
2	02839	M6 Bolt x 35mm
3	01057	M6 Washer 2 off
4	02705	M6 Nyloc Nut

### 9.12 Cub Electrical Assembly



**Cub Electrical Assembly**  
**PGDT Pilot Integral**  
024drq212

**List of Parts for Cub Electrical Assembly – P & G Integral**

<b>Item No.</b>	<b>Part No.</b>	<b>Description</b>
1	09430	Fracmo Motor 68 RPM L/H
2	09429	Fracmo Motor 68 RPM R/H
3	09391	Battery - Sonnenschein A500 Dryfit Cyclic 2 off
4	07223	Battery Connecting Lead Assembly
5	10295	Battery Harness PGDT
6	06286	30A Thermal Circuit Breaker
7	09980	Harness Assembly with Beau Plug
8	09389	Battery Charger
9	09192	PGDT Pilot Integral 40a Controller